

Wall outlet installation instruction

Fixing type A

1. Plumb up the pipework from the shower to a 15mm x ½" BSP elbow with fixing lugs (for rigidity). Make sure the depth of the elbow suits the finished wall and the length of thread on the outlet. Screw in the threaded nipple (2) into the elbow using a suitable sealant.

NOTE: - Before finishing the installation turn on the water supplies to check both correct system function and for any leaks from the joints and connections.

2. Finish wall leaving a hole to allow the wall outlet (1) to be screwed into the threaded nipple (2) after finishing the wall.

3. Using suitable sealant, screw the outlet into the threaded nipple with shroud (3) in place.

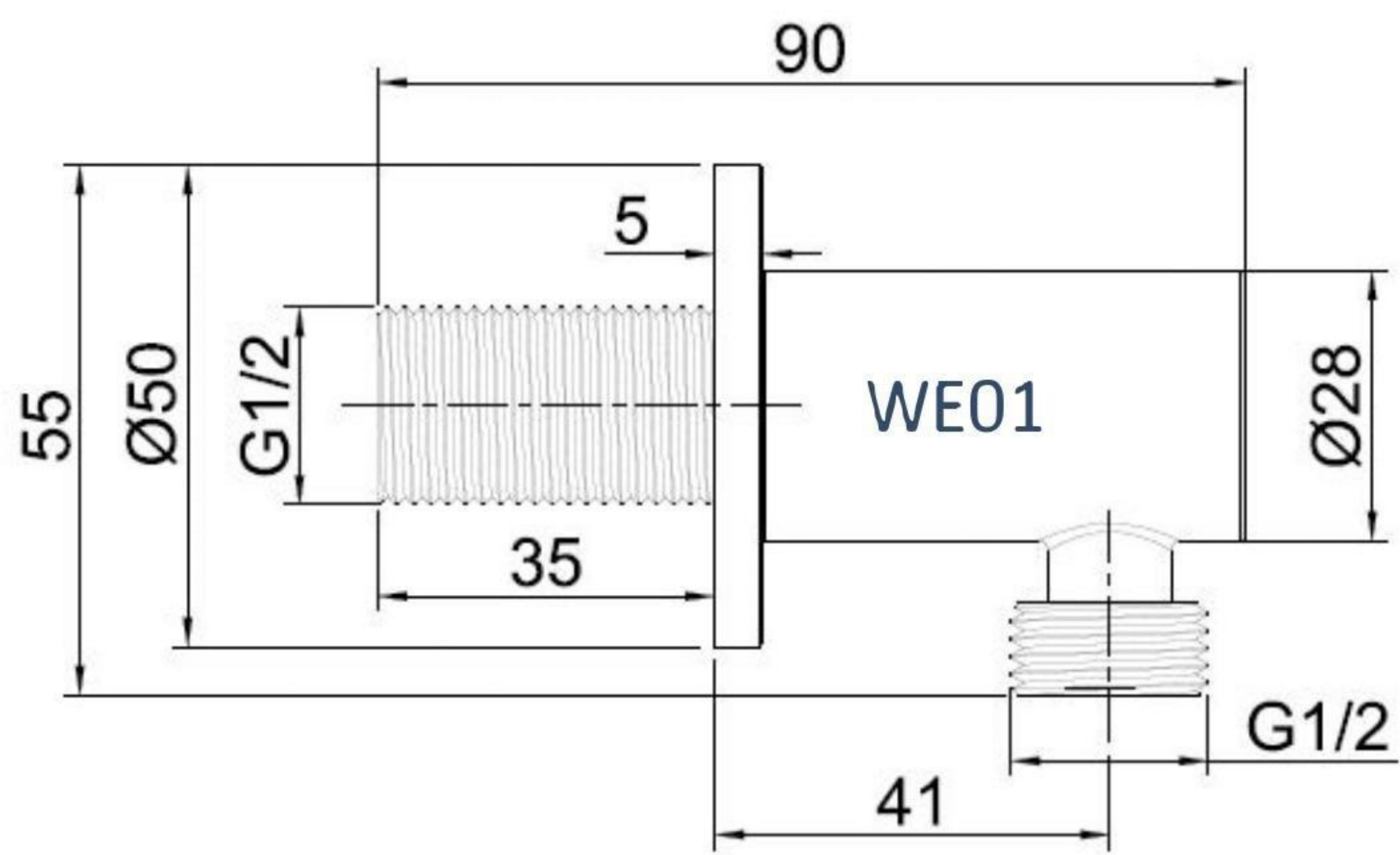
Fixing type B

1. Using suitable sealant, screw the outlet (1) onto the threaded nipple (2).

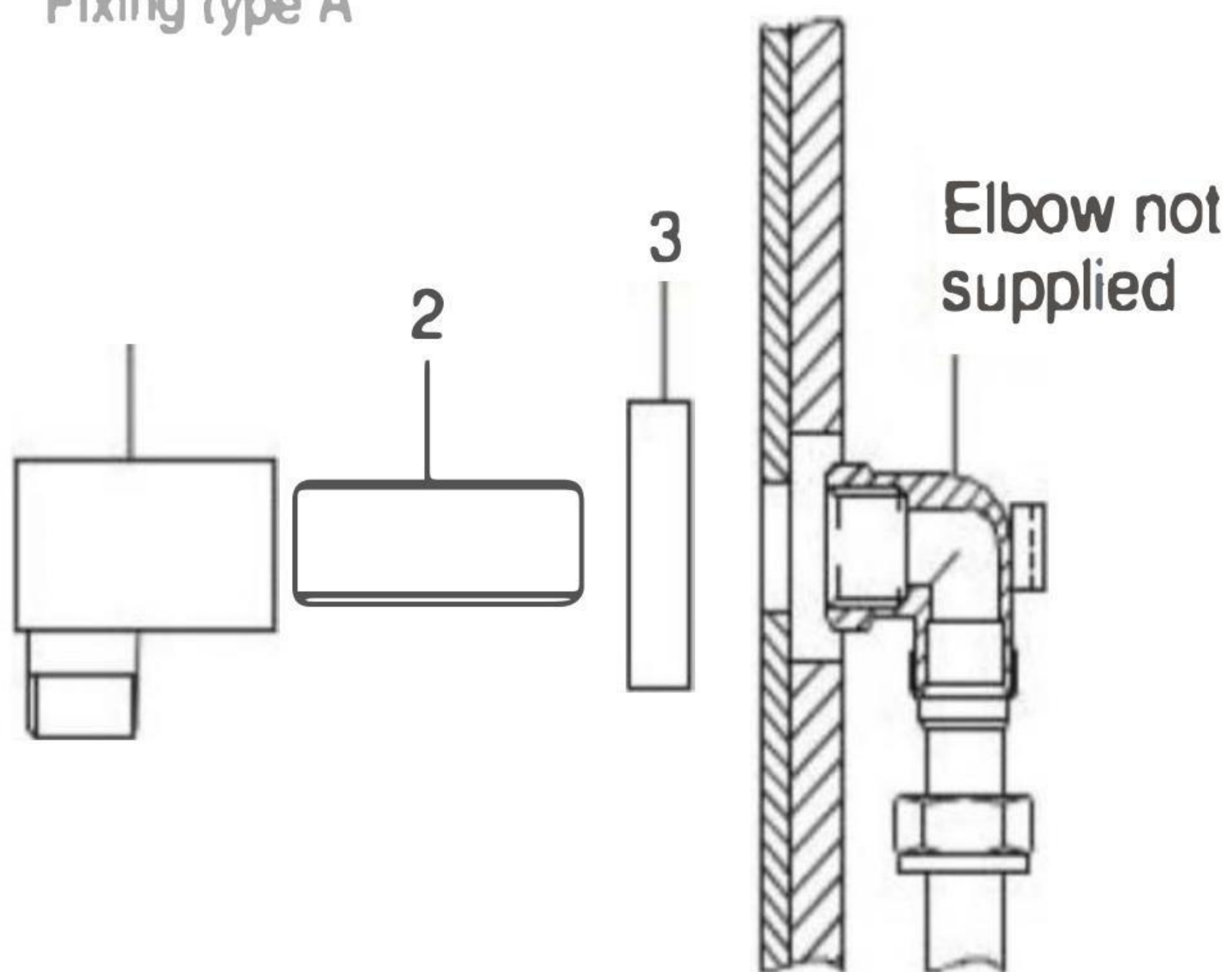
2. Place the shroud (3) over the threaded nipple (2) and onto the wall outlet body (1) prior to fixing it to the wall.

3. Fix the outlet to the wall and secure in place with the G1/2 Nut (4, not supplied) connect to pipework in wall using appropriate adaptor and sealant (not supplied).

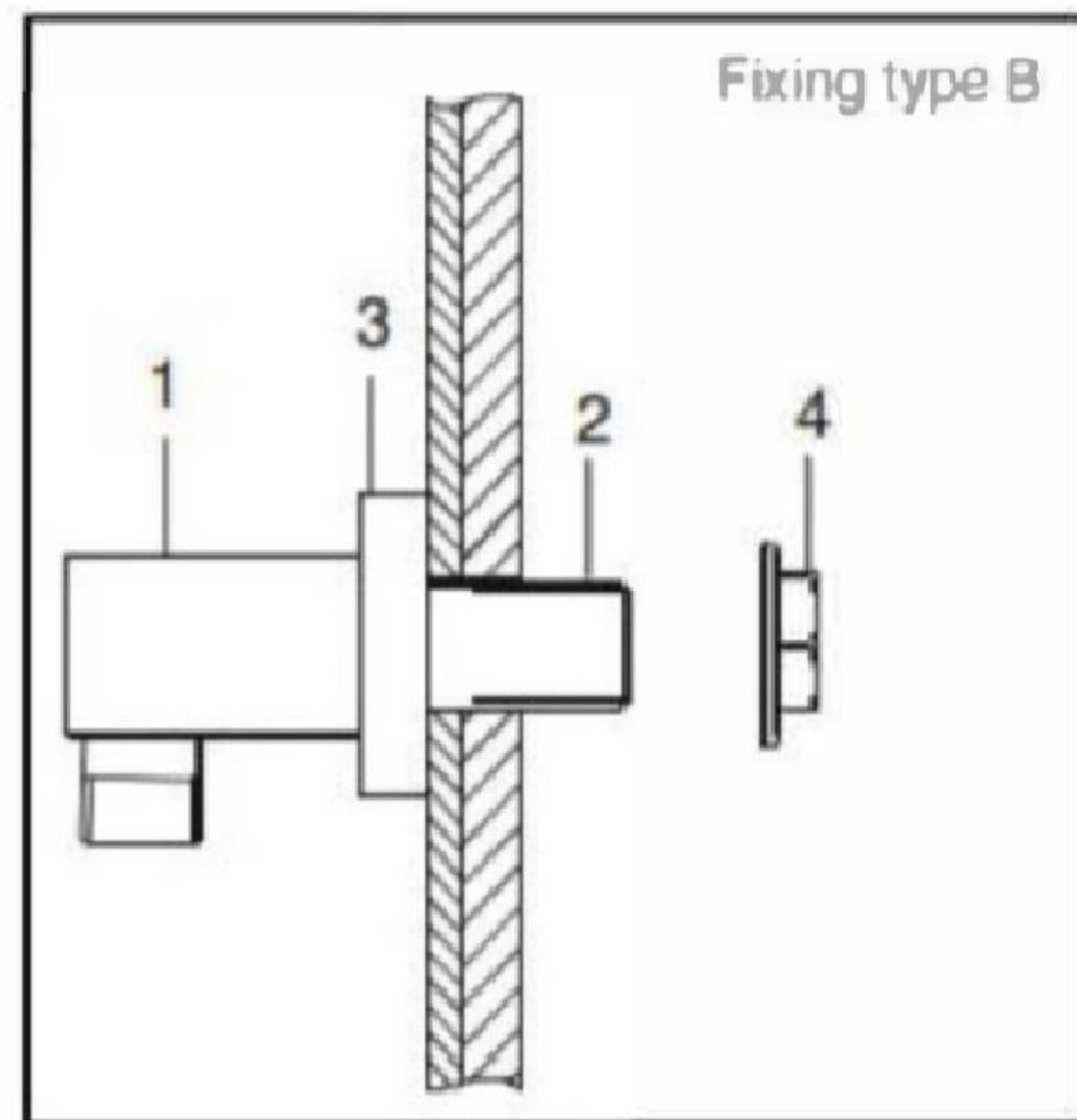
NOTE:- Before finishing the installation turn on the water supplies to check both correct system function and for any leaks from the joints and connections.



Fixing type A



Fixing type B



cleaning and maintenance

Your fitting has a high quality finish and should be treated with care to preserve the visible surfaces.

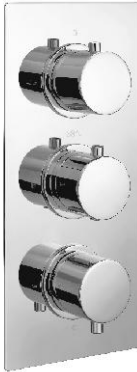
All surface finishes will wear if not cleaned correctly. The only safe way to clean your waste is to wipe with a damp cloth. Stains can be removed by using washing up liquid. All bath cleaning powders and liquids will damage the surface of your fitting, even the non-scratch cleaners.

NOTE:- Never use abrasive detergents or disinfectants or those containing alcohol, hydrochloric acid or phosphoric acid.

maintenance

In order to maintain optimum spray we advise that the handsets/ fixed shower heads be regularly cleaned, particularly in hard water areas. They incorporate soft rubber nozzles that can be flexed regularly by gently rubbing during use to help the holes clear.

Thermostatic Concealed Shower Valve ROUND 3 Knob 2 way



Please retain this manual after installation for future reference and maintenance.

Product must be installed in compliance with relevant Water Regulations and Byelaws



IMPORTANT

Flush system prior to installation.

Check for leaks after installation.

Hot supply must be on the left.

Check for pipes and wires, before commencing installation

Product Specification

Minimum Pressure	0.5 bar
Maximum Pressure	6.0 bar
Cold Supply Temperature	4 - 20°C
Hot Supply Temperature	55 - 65°C

G3/4" female inlets

G1/2" female outlets

38°C Temperature stop position

Minimum 10°C difference between hot supply and mixed outlet temperature

Maximum mixed temperature is recommended no higher than 43 °C

Pressures should be balanced

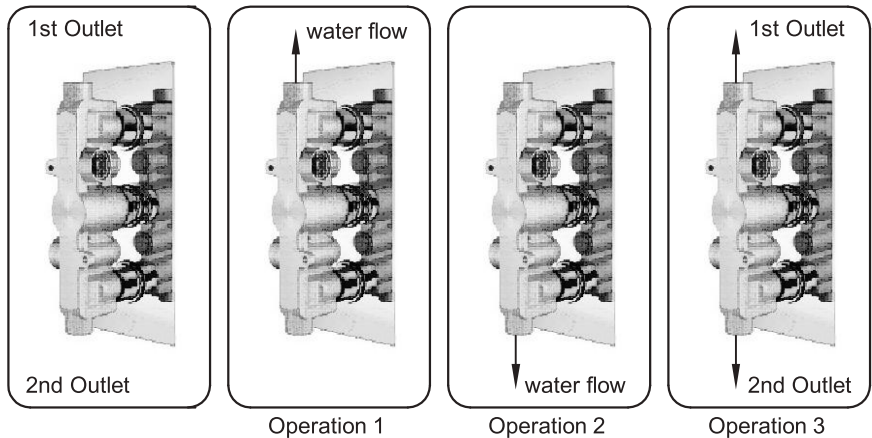
Cleaning

All surfaces should be cleaned using a clean damp cloth.

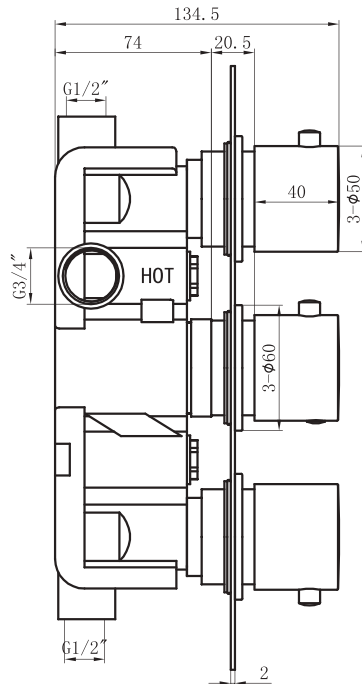
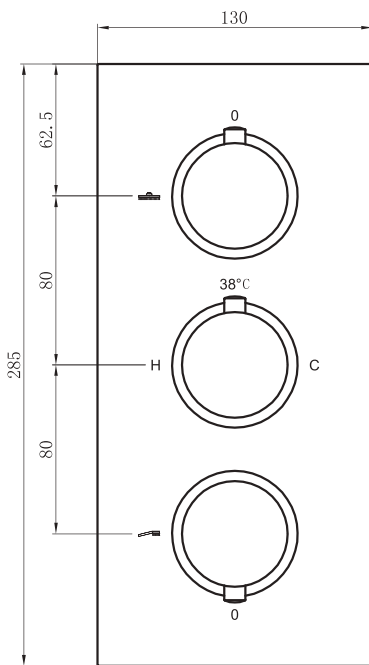
No abrasive cleaning agents or materials should be used.

OPERATION

- - 1st Outlet
- - Thermostatic shower valve
- - 2nd Outlet



Dimensions



INTRODUCTION

This guide provides instruction for the installation operation and maintenance of concealed dual and triple control shower valves. It is beyond the scope of this guide to provide detailed instructions for the installation for auxiliary products which may be attached to these valves.

These shower valves must be installed in accordance with the Water Supply (Water Fittings) Regulations 1999 and in accordance with the BuidCert TMV2 scheme.

OPERATING CONDITIONS OF USE

Before installation the operating conditions of use must be checked. The table below contains details of the necessary conditions of operation. If your water supply cannot meet these conditions then the valve cannot be guaranteed to operate as a Type 2 TMV2 certified shower valve. This valve is suitable for use in both low pressure (BS 1287) and high pressure (BS 1111) operating conditions.

Unbalanced Water Supply

Valves must always be operated within either the range for BS 1287 OR BS 1111 as described in the table below. Valves cannot operate effectively where a hot or cold pressure system crosses the boundaries of the two ranges. In addition the maximum ratio of unbalanced hot and cold water pressures for the valves to operate effectively is 5:1. Hot or cold pressure must be reduced or boosted so as to work within the required range.

Water Pressure requirements

Minimum running water pressure : 0.5 bar

Maximum running water pressure: 5.0 bar

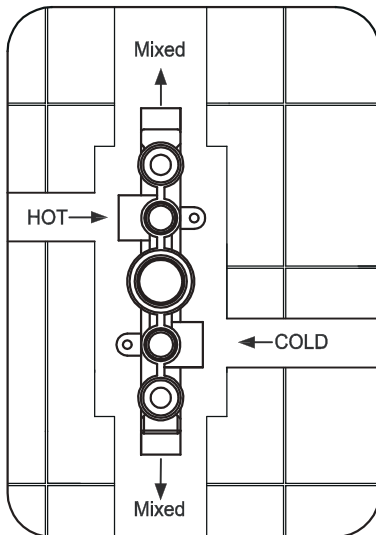
Maximum static water pressure : 10 bar

Water Minimum Flow Rate

For your shower to perform well you should ensure that the pressure is as specified and a minimum flow of 5 litres per minute is available at both hot and cold inlets.

	Low Pressure BS1287	High Pressure BS1111
MAX Static(BAR)	10	10
Flow Pressure(BAR) Hot and Cold	0.2 - 1.0	0.2 - 5.0
Hot Supply(°C)	55 - 65	55 - 65
Cold Supply(°C)	MAX 25	MAX 25
Mixed Water(°C)	MAX 44	MAX 44

Installation

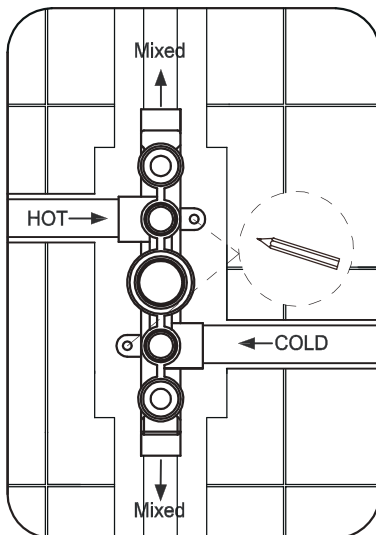


Prepare pipes in wall to connect to shower, with cold on the right.

Ensure these pipes are flushed before connecting the mixer.

Two 1/2" male fittings will be required (not supplied) to connect the outlet pipes to the mixer.

Two 3/4" male fittings will be required (not supplied) to connect the supply pipes to the mixer.



Offer the mixer into the recess and mark fixing locations.

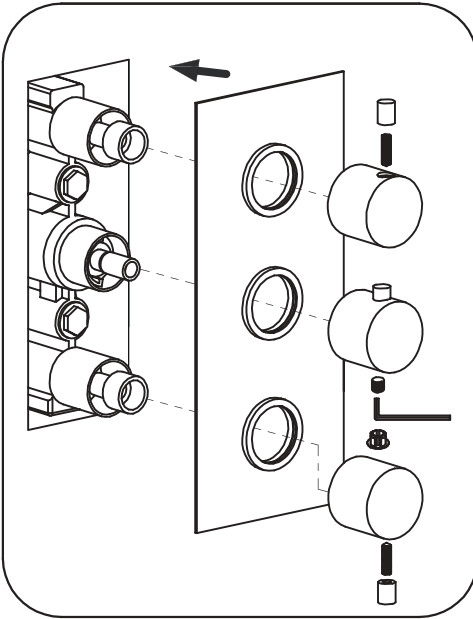
Remove the mixer, depending on the wall type, drill the holes and insert plugs, if a solid wall.

Screw to a wooden batten if fitting into a stud wall.

Connect pipes to mixer and secure mixer into position.

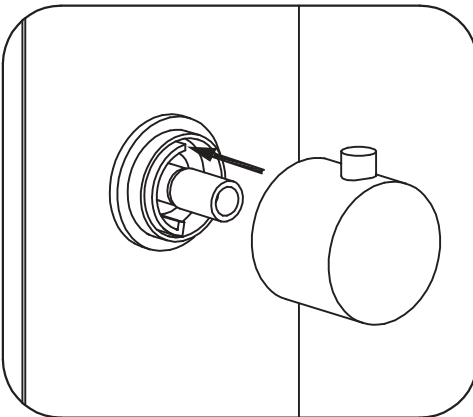
Ensure the mixer is level.

Installation



Once the mixer has been fitted and secured, push the concealing plate over the mixer body, sealant should be applied between the plate and the wall.

Next push on the flow control handle on to the top valve in the mixer, tighten the grub screw using an allen key and insert screw cover.



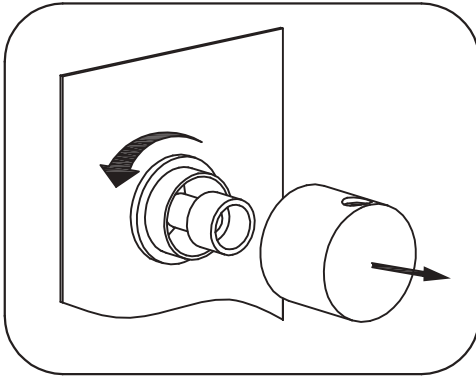
Fit temperature control handle to thermostat, ensuring the stop pin inside the handle, is located against the top of the stop ring.

To test this, once fitted, turn the handle to cold, then back to the stop position, press the button and continue to turn.

If the handle does not function correctly remove and re-assemble.

Maintenance

Flow control valve removal



In the event that you should need to remove the flow control valve, first turn off water supply.

Remove the handle, unscrew the chrome shroud.

Using a spanner remove the flow control valve.

Filter Cleaning

Over a period of time, Lime scale or debris build up may occur and could affect the performance of the mixer.

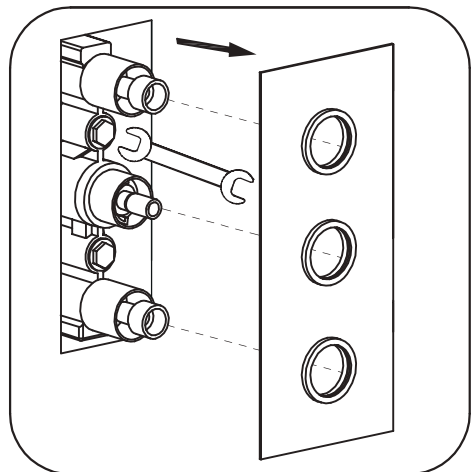
Turn off water supply.

Cleaning of the filters could assist in returning the thermostat to its original performance.

Remove the handle from the mixer, remove the concealing plate.

Remove the filter covers, remove the filters and non-return valves.

Run these under warm water and rub or wipe to remove build up.

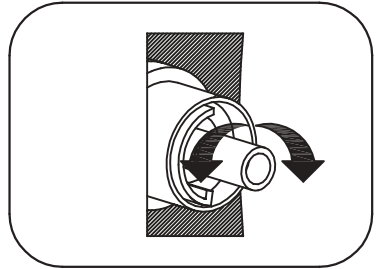


Re-calibration

Your product is factory set under balanced pressures, with specific inlet temperatures, as your site conditions may differ, the temperature stop position may require re-setting, to achieve the 38 °C.

Turn the handle to the stop position, remove screw cover and loosen grub screw, inside handle.

Pull the handle from the mixer. DO NOT remove the plastic stop ring.



Turn the spindle until the 38 °C is achieved, once this has been reached, replace the handle, so that the stop pin inside sits against the stop ring.

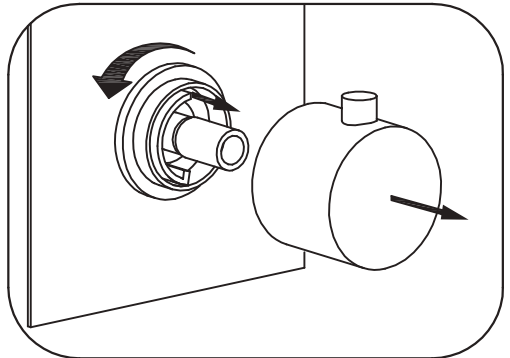
Thermostat removal (Turn off water supply)

Over a period of time, lime scale or debris build up may occur and could affect the performance of the thermostat.

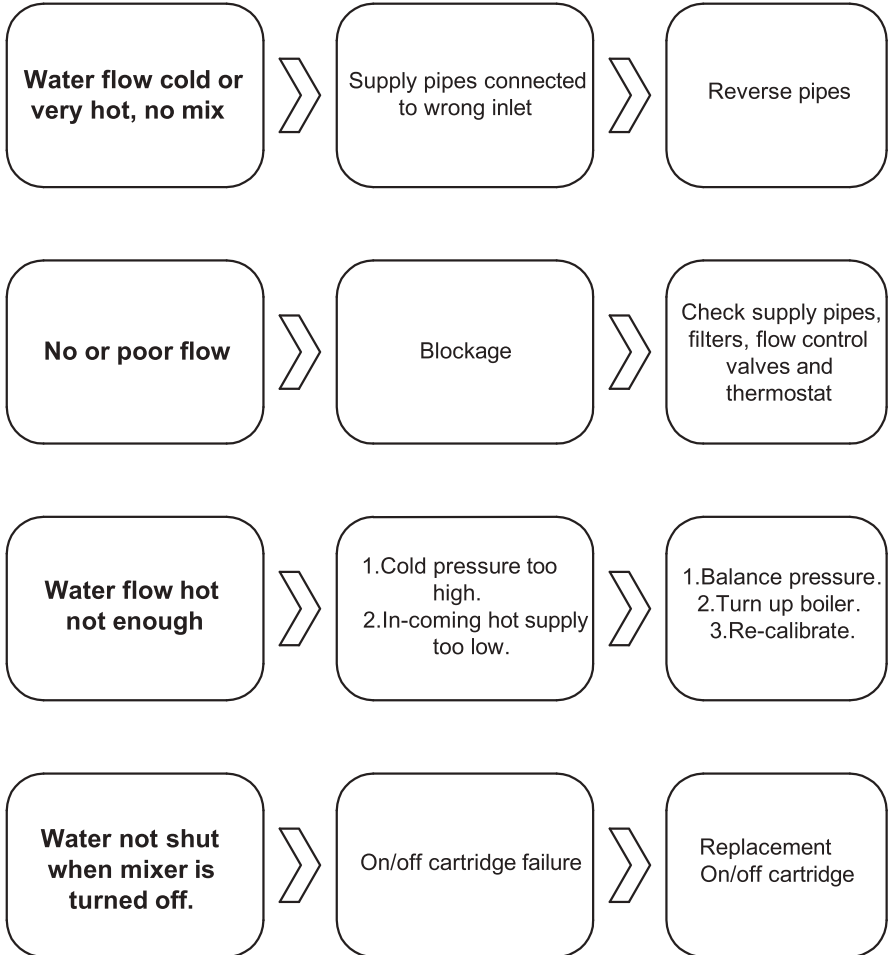
Cleaning of the thermostat could assist in returning the thermostat to its original performance.

Remove the handle from the mixer, remove the stop ring and unscrew the chrome shroud.

Using a spanner remove the thermostatic cartridge.



Run this under warm water and rub or wipe to remove build up.



Guarantee

This product comes with guarantee (please refer to the seller for details of guarantee) when installed, used and cleaned in accordance with this manual.

Not covered by the guarantee is:

- Breakdown due to -
 - a) Use other than domestic
 - b) Willful act neglect
 - c) Any malfunction resulting from incorrect use
 - d) Incorrect setting of controls
 - e) Any malfunction resulting from poor water quality
- Repair costs for damage caused by foreign objects or substances.
- Total loss of the product due to non-availability of parts.
- Compensation for loss of use of the product or consequential loss of any kind.
- Call out charges where no fault has been found with the product.

NOTE: The guarantee on the cartridges and valves is invalidated if damage is caused by waterborne debris.

NOTE: All products must be installed in a manner providing access for servicing or replacement during the life of the product.

We have a policy of continuous improvement and reserve the right to change specifications without notice.

Please retain this document for future reference.

Not covered by the guarantee is:

- The cost of repair or replacement of pressure relief devices, spray heads, hoses, riser rails and/or wall bracket or any other accessories installed at the same time.
- The cost of routine maintenance, adjustments, overhaul, modifications, loss or damage, arising therefrom, including the cost of repairing damage, breakdown, malfunction caused by corrosion, furring, pipe scaling, lime scale, system debris or frost.

General Cleaning

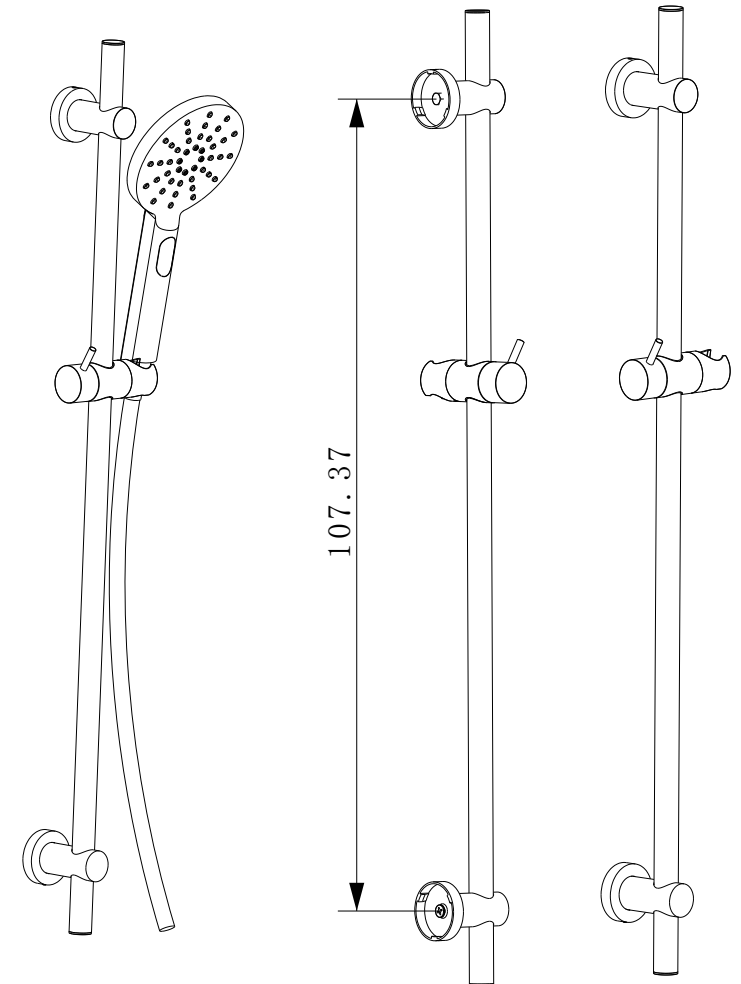
Products are made from premium materials, with hand polishing and electroplated finishes.

Your taps or shower should be regularly cleaned with warm water, a mild pH-neutral liquid soap, and polished with a soft cloth. Any residues from soap, toiletries etc. should be rinsed off straight after use. fail to follow the cleaning instruction may result the warranty invalid.

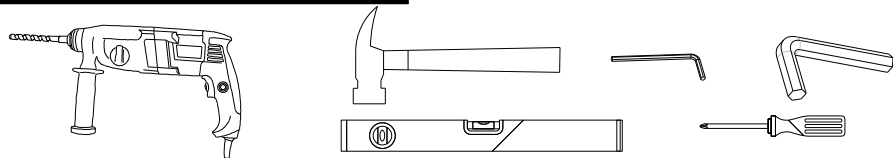
Household bleaches and cleaners contain harsh chemicals and may damage the surface finish. Avoid using abrasive cloths, scouring pads, scrub sponges, steel wool or anything similar.

Some surfaces such as nickel and pewter may be affected by the dye found in some cloths, so it is also important to avoid hanging cloths on surfaces.

Shower slider rail kit Installation

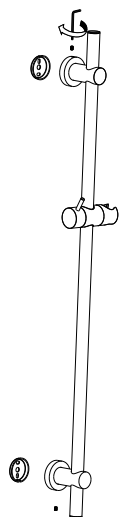


Tools You'll Need

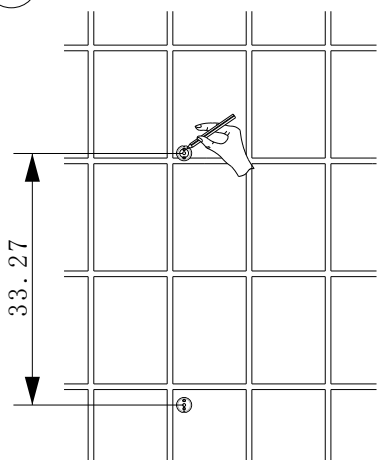


WARNING! Check there are no hidden cables or pipes before drilling holes for wall plugs. Use great care when using power tools near water. The use of a residual current device (RCD) is recommended.

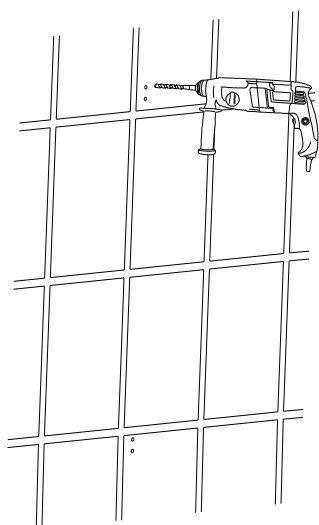
1



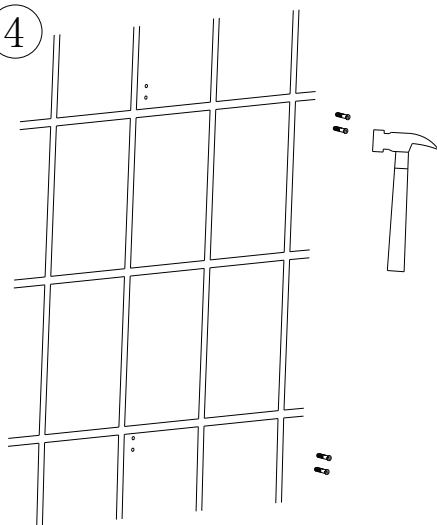
2



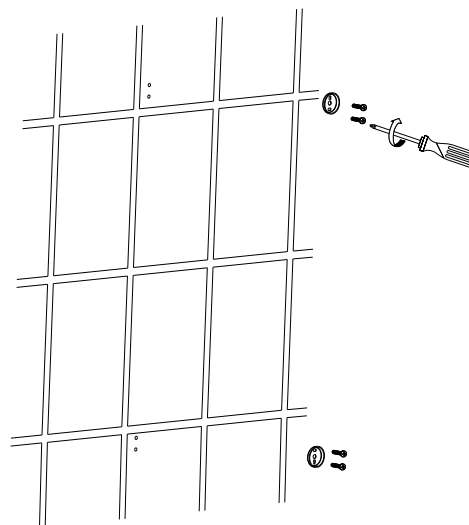
3



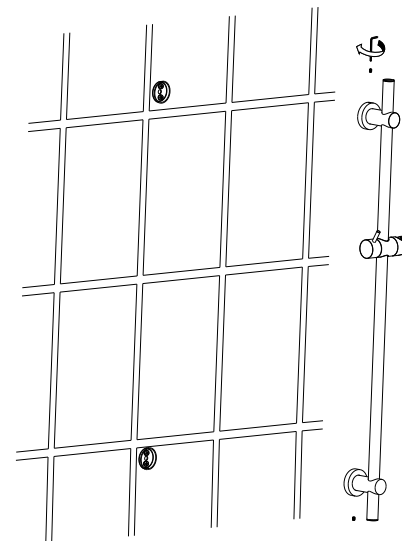
4



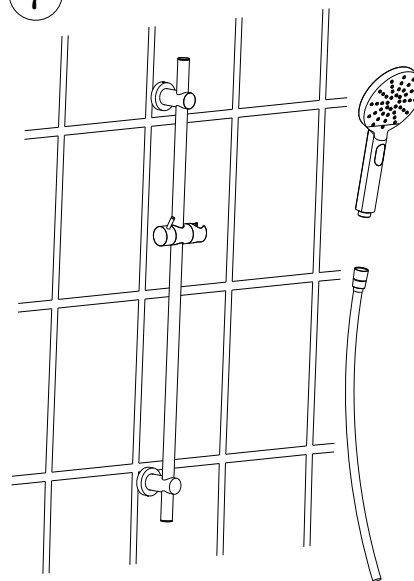
5



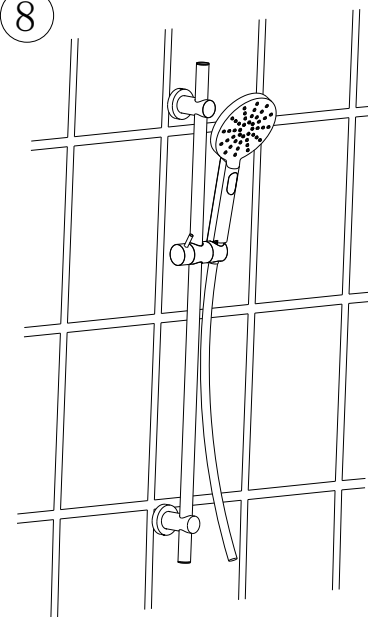
6



7

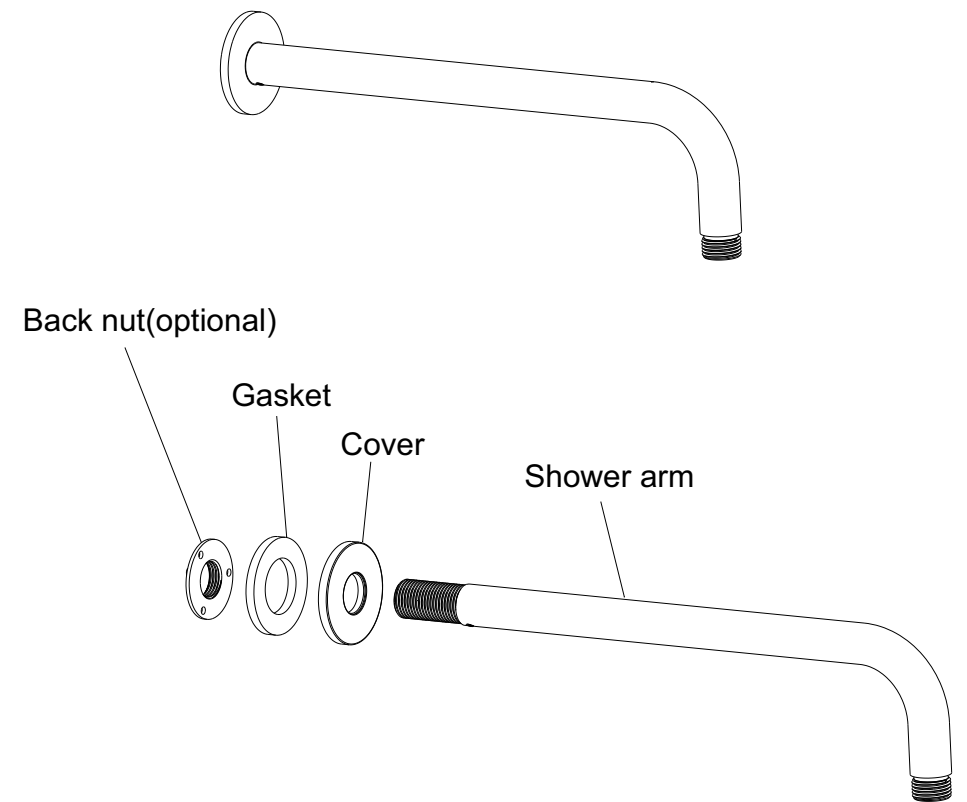


8



Note: The installation diagram is for reference only and subject to the real objects.

Shower arm Installation



This ceiling arm is intended to be used in conjunction with other products, such as shower or blending valves, diverter, stopcocks and shower roses.

Tools You'll Need



INSTALLATION

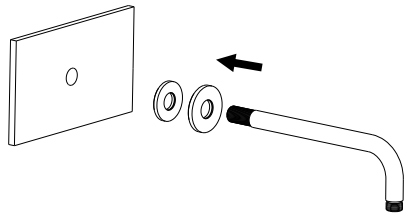
The ceiling arm should be arranged in your system to accept a supply of flow controllable mixed water.

1. Identify all components, study diagram and check for completeness, particularly before arranging fitting.

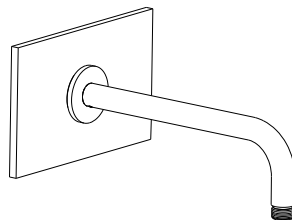
2. The arm is most suitable for mounting via the back nut either side of a panel and/or tiles. However it is possible to support the arm using rigid pipework by connecting via a female G 1/2" BSP to 15mm compression adaptor. The 15mm pipework can then be adjusted to offer the necessary depth and vertical positioning for the eventual shower fixed head.

⚠ Before finishing wall turn on water supplies to check for leaking from joints / connections.

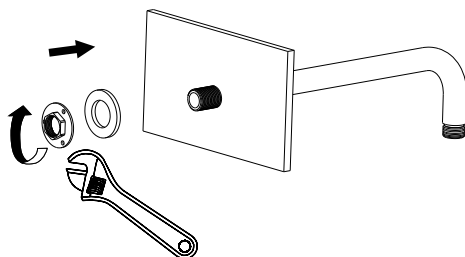
1



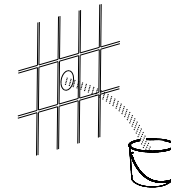
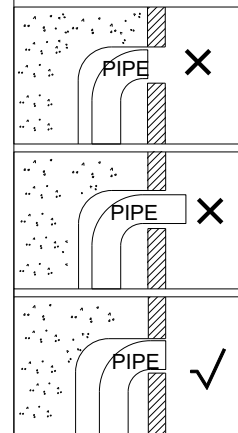
3



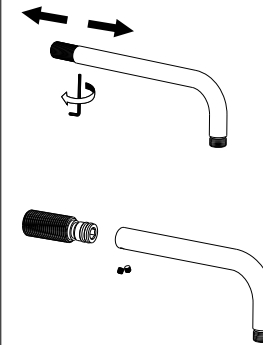
2



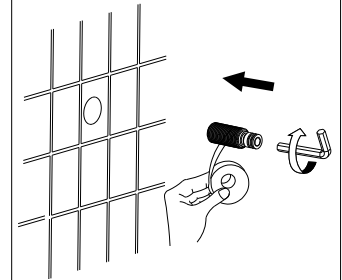
1



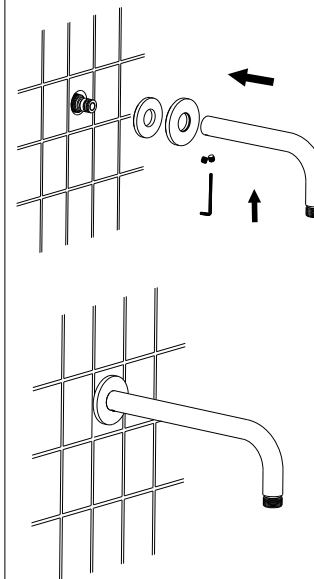
2



3



4



General Cleaning

Products are made from premium materials, with hand polishing and electroplated finishes.

Your taps or shower should be regularly cleaned with warm water, a mild pH-neutral liquid soap, and polished with a soft cloth. Any residues from soap, toilettries etc. should be rinsed off straight after use. Fail to follow the cleaning instruction may result the warranty invalid.

Household bleaches and cleaners contain harsh chemicals and may damage the surface finish. Avoid using abrasive cloths, scouring pads, scrub sponges, steel wool or anything similar.

Round/Square Fixed Shower Head

Fitting Instructions

This shower rose is intended to be used in conjunction with other products, such as a shower arm and valve.

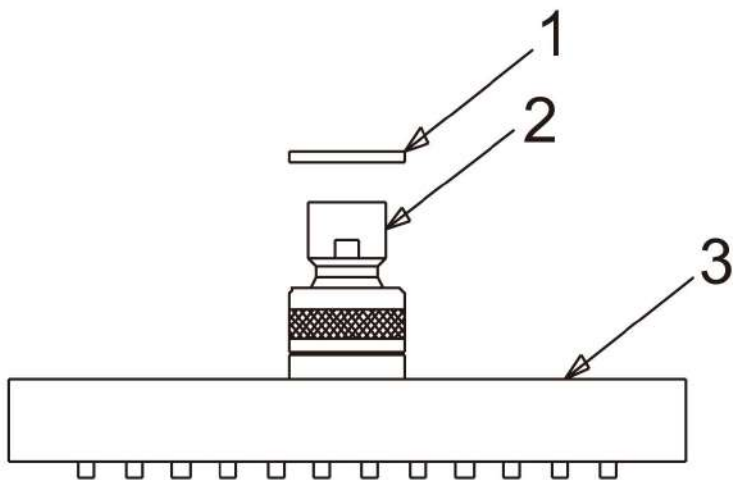
INSTALLATION

This shower head should be arranged in your system with a supply of pre-mixed water from a shower valve.

This product is designed to be fitted to shower arms with a male ½" BSP thread. If replacing a shower head, simply unscrew from the shower arm and replace. The shower head comes with a swivel joint, so the head can be positioned as desired.

Tighten by hand ONLY. Check joint and connections for any leaks, if this occurs check the condition of the washer. Replace if necessary or reseal correctly then re-tighten.

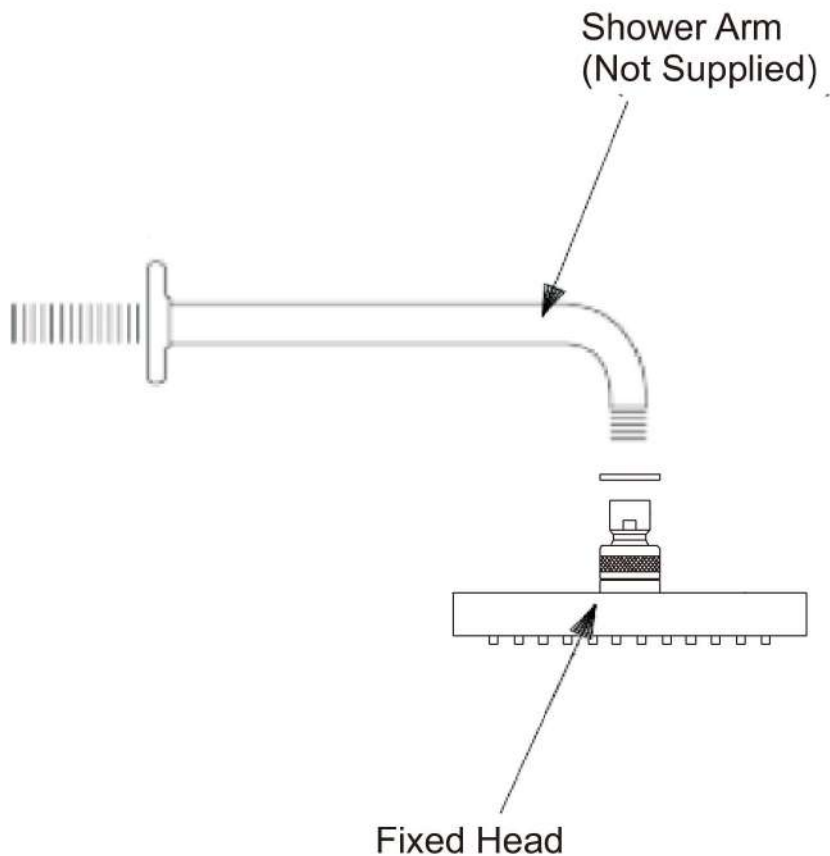
In order to maintain optimum spray, we advise that the shower rose face plate be regularly cleaned, particularly in hard water areas.



CONTENTS:

- | | |
|------------------|------|
| 1. Swivel | (x1) |
| 2. Rubber Washer | (x1) |
| 3. Shower Rose | (x1) |

INSTALLATION DIAGRAM



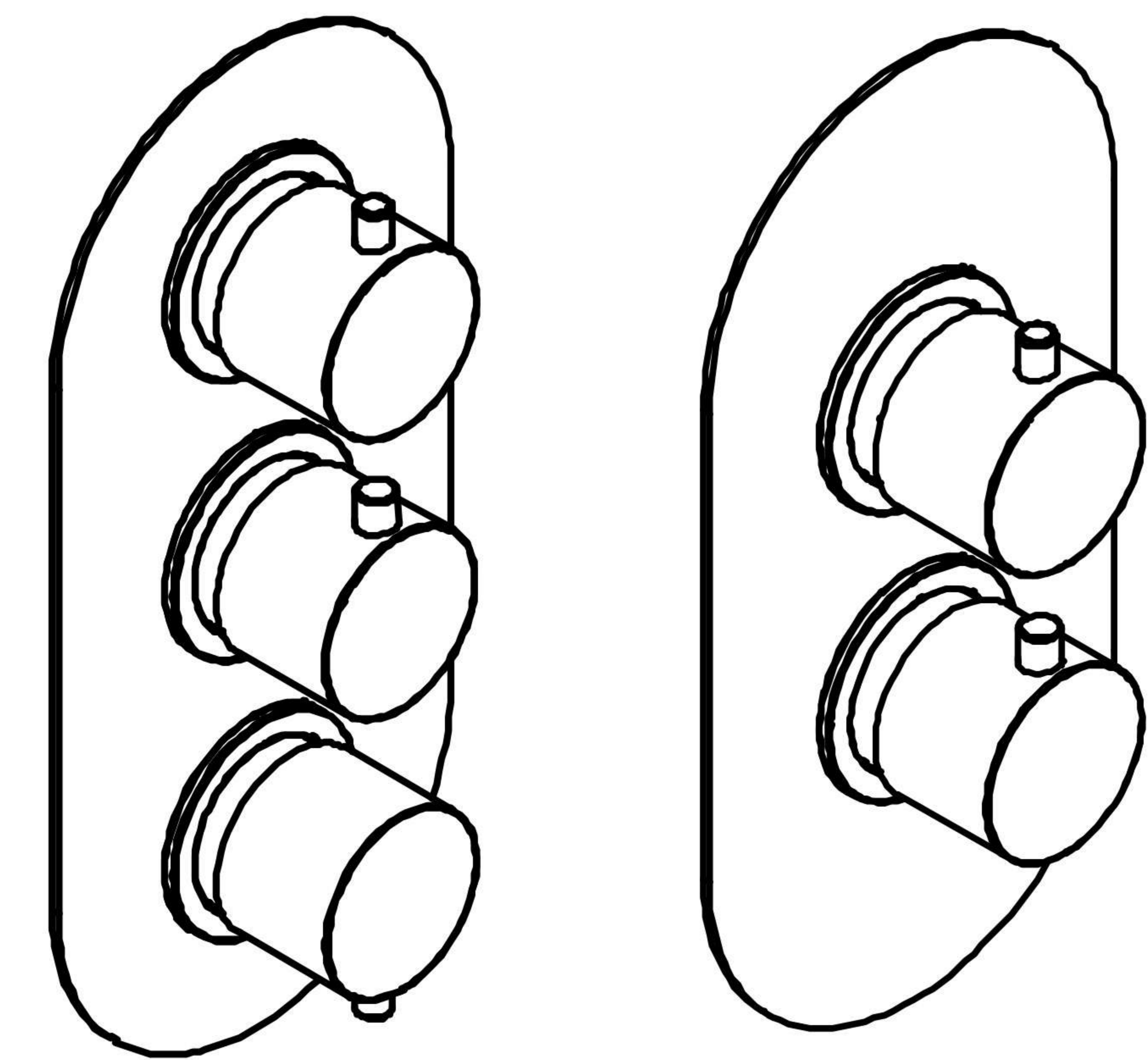
AFTERCARE INSTRUCTIONS

Your fitting has a high quality finish and should be treated with care to preserve the visible surfaces.

All surface finishes will wear if not cleaned correctly, the only safe way to clean your mixer is to wipe with a soft damp cloth. Stains can be removed using washing up liquid. All bath cleaning powders and liquids will damage the surface of your fitting, even the non-scratch cleaners.

NOTE: Never use abrasive detergents or disinfectants or those containing alcohol, hydrochloric acid or phosphoric acid.

Concealed thermostatic mixer valve Installation



Tools You'll Need

Specifications

Dynamic Water Pressure
Min: 0.5 bar Max: 6.0 bar

Maximum Static Pressure: 10.0 bar

Inlet Water Temperature
Cold Water Supply

Min: 5°C Max: 25°C

Hot Water Supply

65°C Recommended

IMPORTANT
The inlet hot water must be at least 10°C above the required blend temperature.

Three handles

Dimensions: 138, 93, 50, 26, 64.2, 278.5, 122, 222.2, 64.2, 26, Min 74, Max 93, G 3/4", G 1/2", G 3/4"

Two handles

Dimensions: 138, 93, 50, 26, 232, 175.7, 122, 54.2, 26, Min 74, Max 93, G 3/4", G 3/4", G 3/4", G 3/4"

1

2

3

4

IMPORTANT NOTICE
At the beginning that the system pipe work must be flushed before installation, then at the end of the installation, check for leaks before installing the cover plate.

5

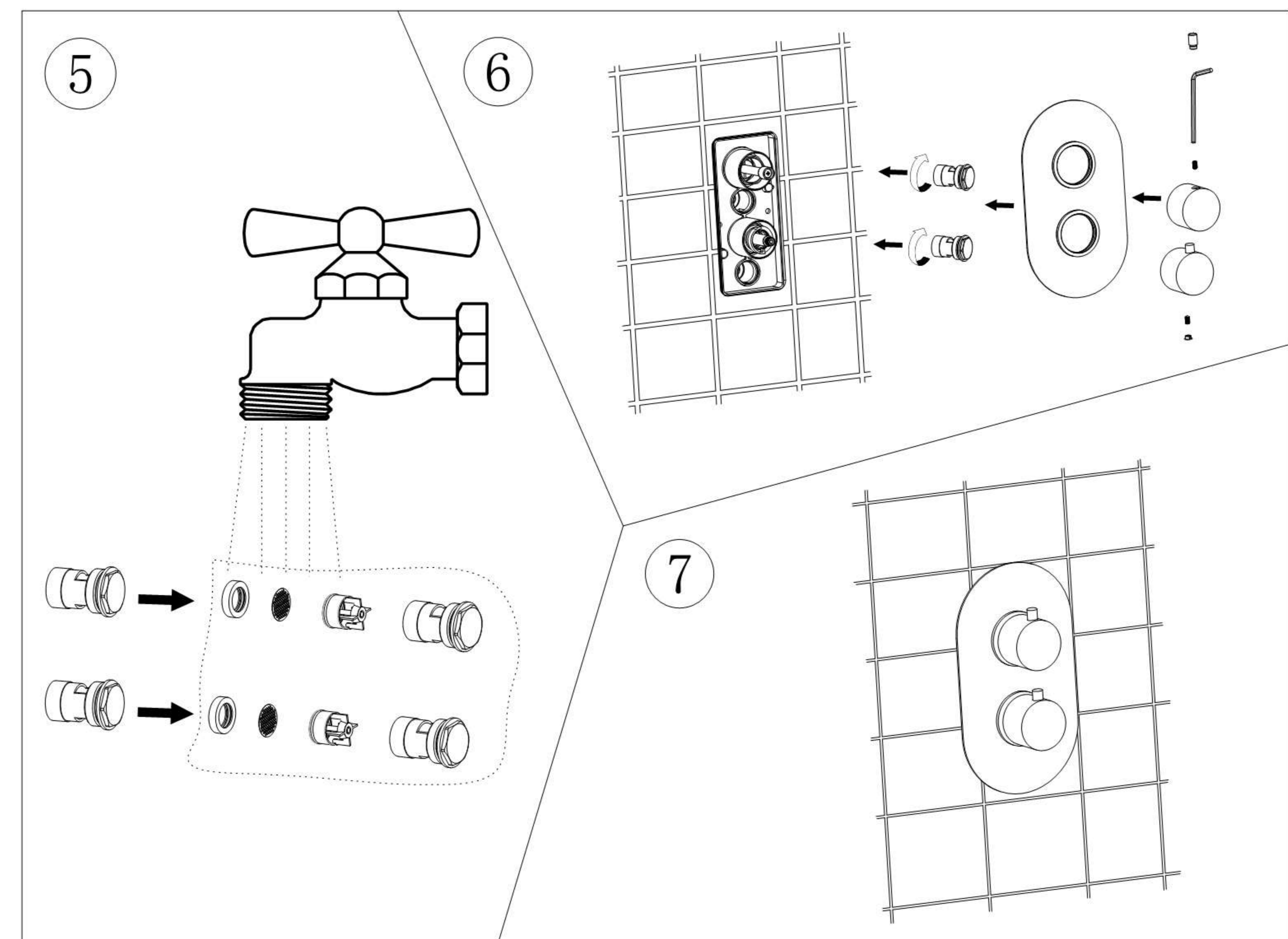
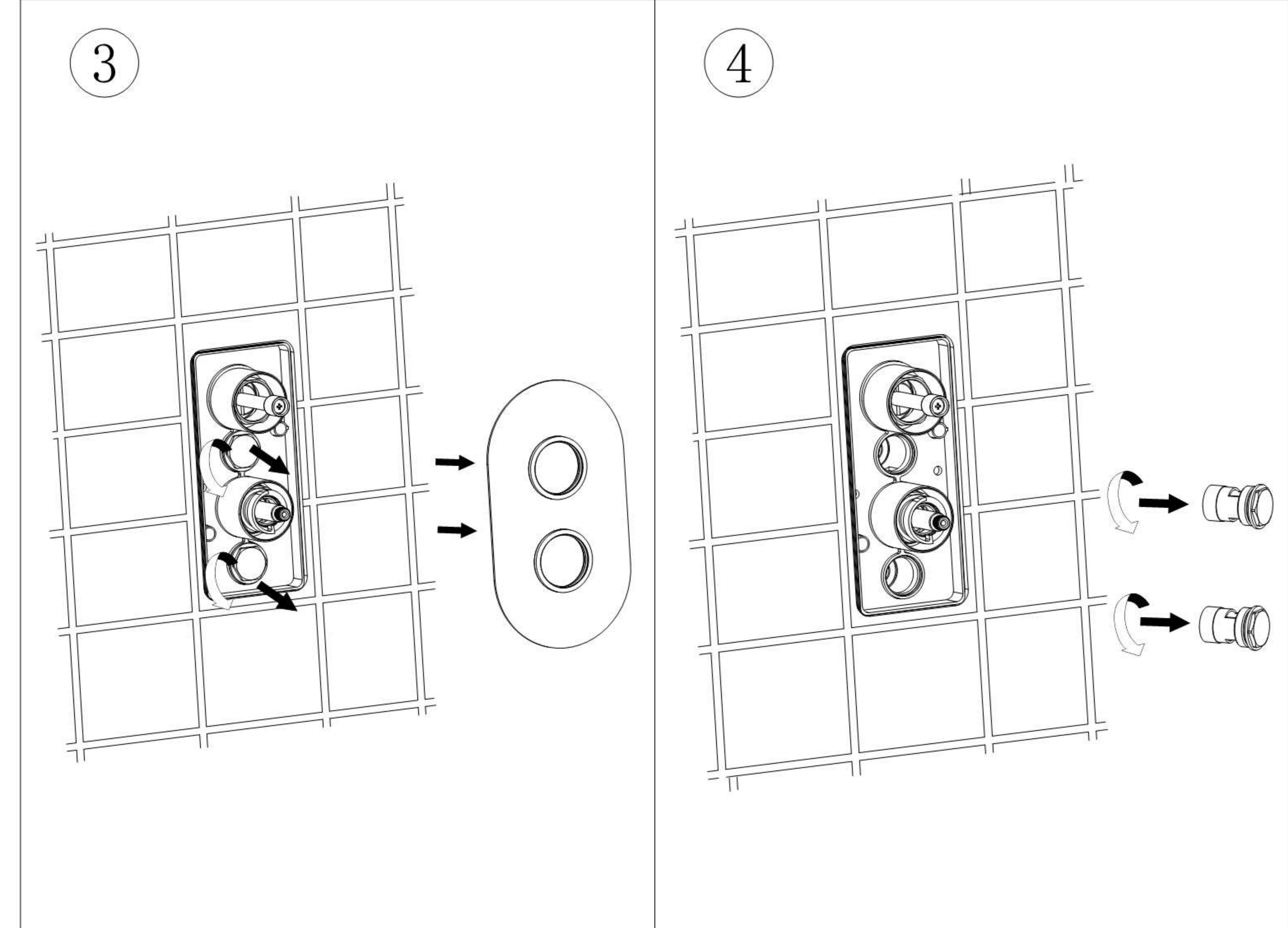
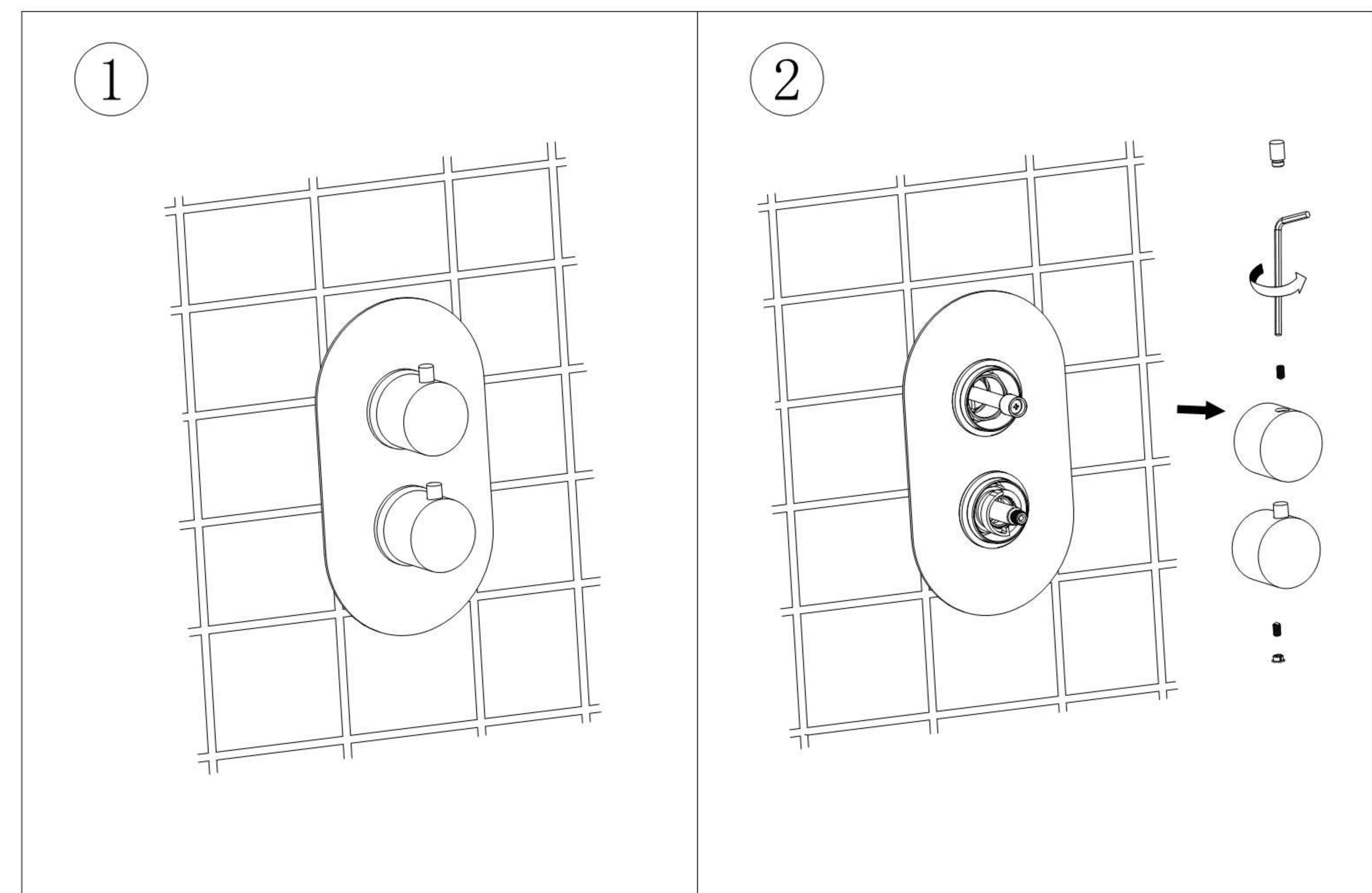
6

7

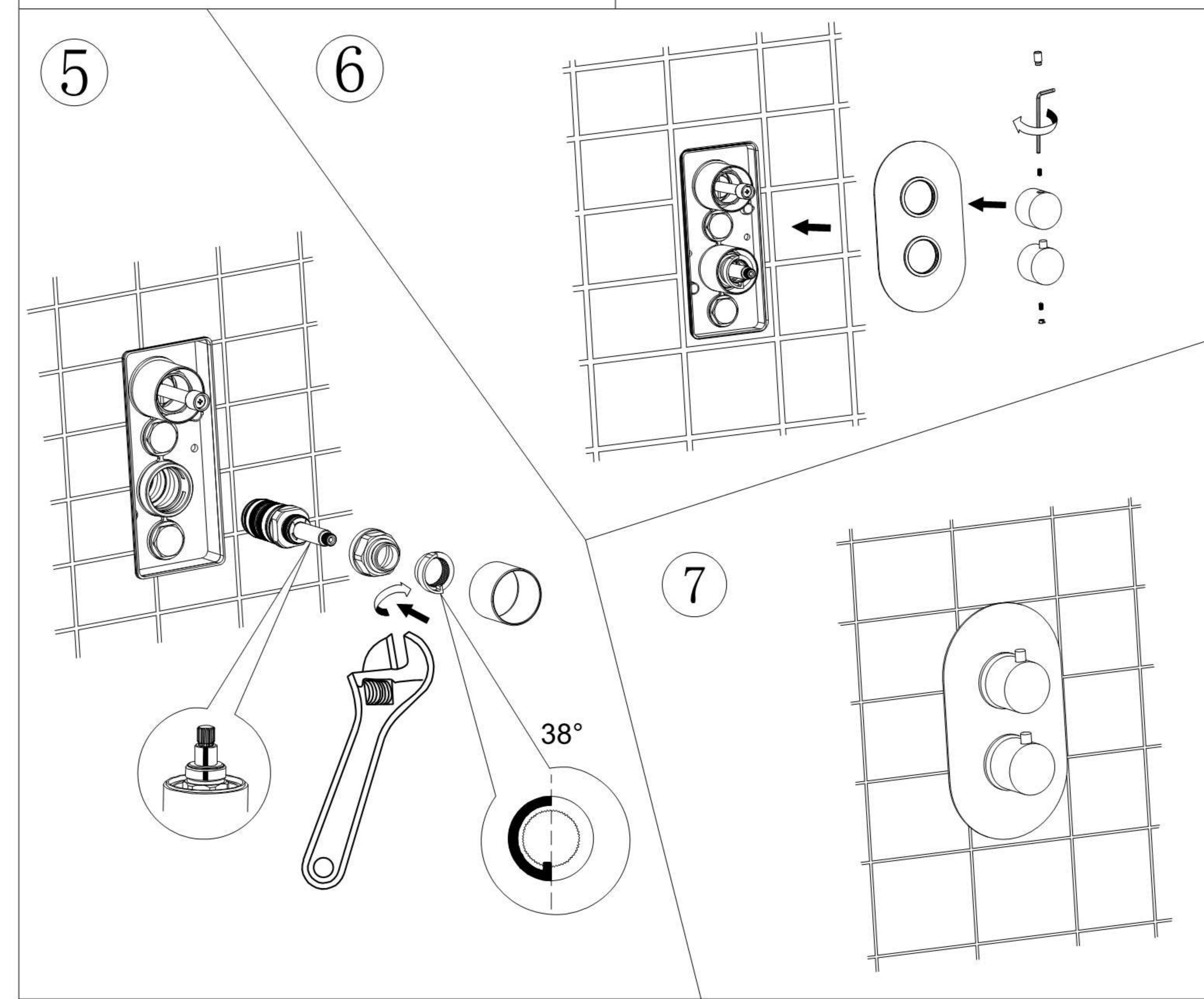
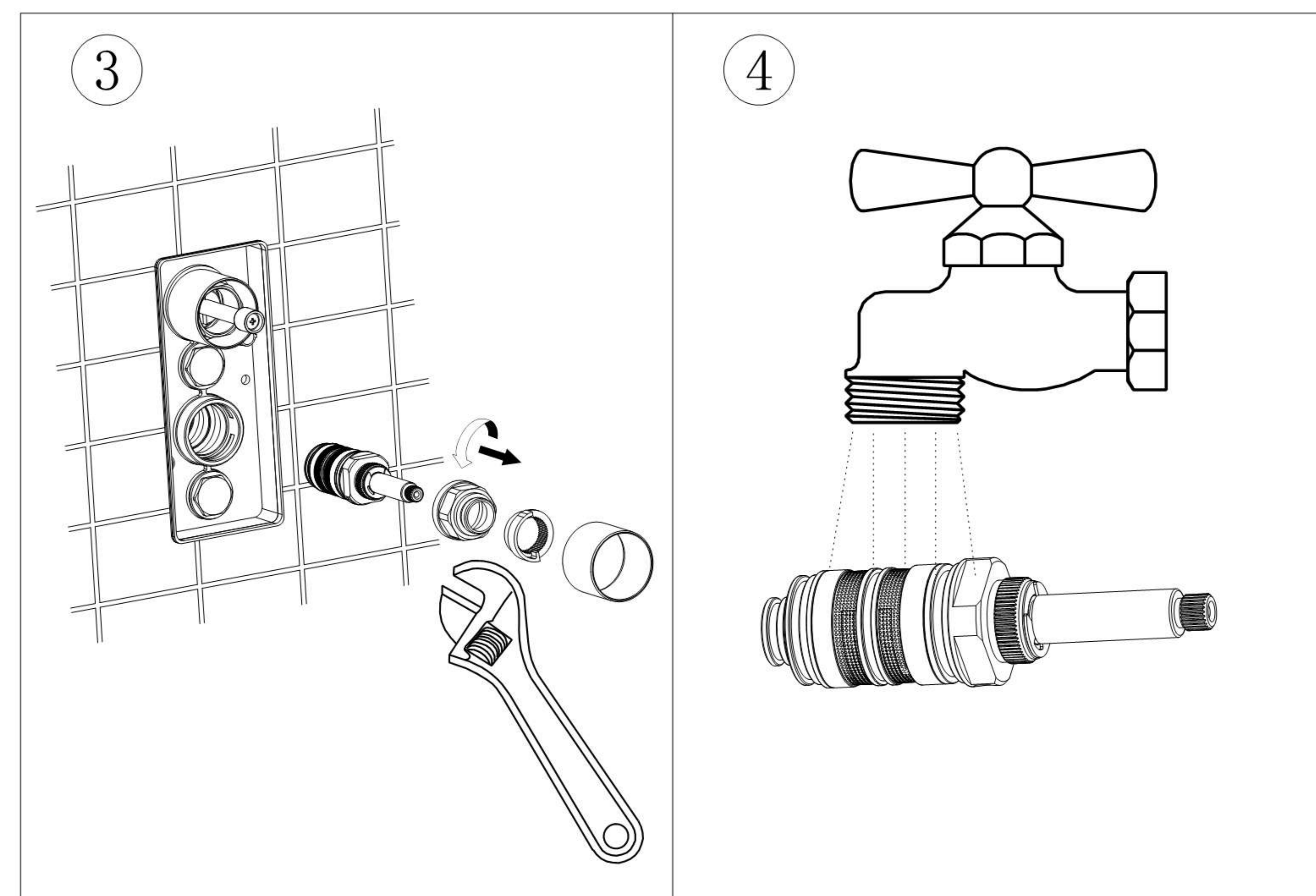
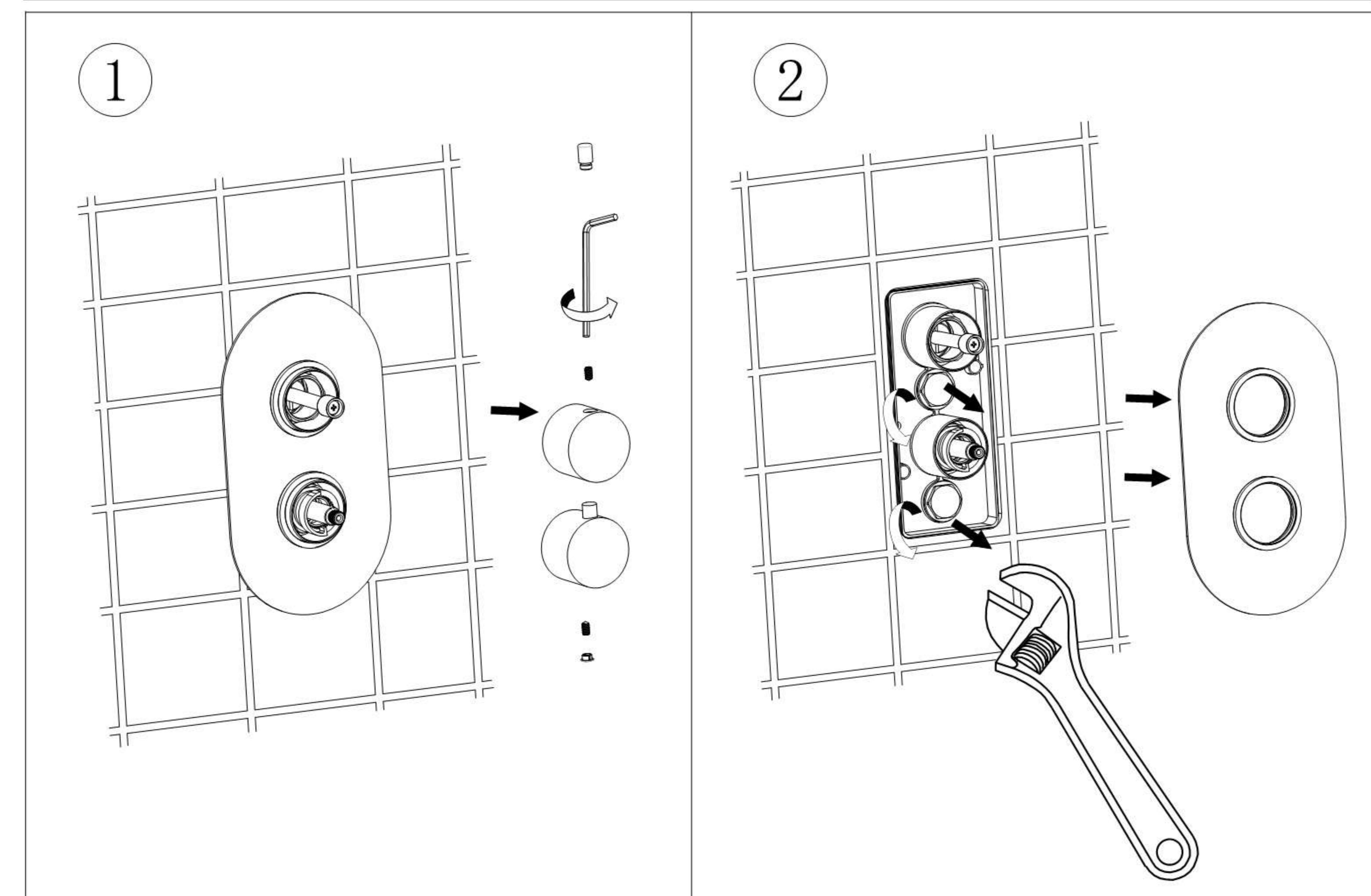
8

9

Maintenance-Cleaning check valve & mesh filter



Maintenance-Cleaning Thermostatic Cartridge



Troubleshooting

Symptom	Cause(s)	Remedy
No flow or low flow rate	Partially closed isolation valve.	Open isolation valve.
	Instantaneous water heater cycles on and off as flow rate or pressure is too low.	Increase water flow rate or pressure through system.
	Head of water is below the minimum distance required.	Refer to your the Specification for the minimum working pressure/distance required.
	Hot or cold water being drawn off elsewhere causing pressure changes or instantaneous boiler temperature changes.	Do not use other water outlets when using the taps.
	Airlock or partial blockage in the supply pipework or hoses.	Flush through pipework to ensure removal of debris and any airlocks.
Water dripping from shower	Water supply failure	Investigate water supply. Check your plumbing and heating systems for any faults.
	This is normal for a short time after using the shower.	This is caused by residual water tension, the build up of water in the shower.
Water dripping from shower	If water continues to drip, possibly due to the ceramic disc valves/cartridge	Refer to the Maintenance section

Shower does not turn on	Closed isolation valve.	Open isolation valve.
	Mains water supply turned off.	Turn on mains water supply

TECHNICAL DATA

- Standard Pressure: Dynamic water pressure Min0.5Bar-Max6.0Bar.
- Cold Supply Temperature: 4-29°C; Hot Supply Temperature: 55-58°C;
- Thermostatic Temperature Range: 20-50°C.
- Pre-set Temperature: 38°C.
- Safety Mechanism: The mixed water will be immediately cut off when the cold supply is not effective.
- Precise Temperature: It takes approximately 5 seconds to achieve the desired temperature. The actual working temperature will be within $\pm 2^\circ\text{C}$ of the temperature.
- Temperature Stability: The outlet temperature variation will be within $\pm 2^\circ\text{C}$ when the inlet temperature is stable and the hot and cold pressure varies by 50%. The outlet temperature variation will be within $\pm 2^\circ\text{C}$ when the inlet pressure is stable and the hot supply temperature increases from 60°C to 75°C (5°C/min).

General Cleaning

Products are made from premium materials, with hand polishing and electroplated finishes.

Your taps or shower should be regularly cleaned with warm water, a mild pH-neutral liquid soap, and polished with a soft cloth. Any residues from soap, toiletries etc. should be rinsed off straight after use. Fail to follow the cleaning instruction may result the warranty invalid.

Household bleaches and cleaners contain harsh chemicals and may damage the surface finish. Avoid using abrasive cloths, scouring pads, scrub sponges, steel wool or anything similar.

Some surfaces such as nickel and pewter may be affected by the dye found in some cloths, so it is also important to avoid hanging cloths on surfaces.

Wall outlet installation instruction

Fixing type A

1. Plumb up the pipework from the shower to a 15mm x ½" BSP elbow with fixing lugs (for rigidity). Make sure the depth of the elbow suits the finished wall and the length of thread on the outlet. Screw in the threaded nipple (2) into the elbow using a suitable sealant.

NOTE: - Before finishing the installation turn on the water supplies to check both correct system function and for any leaks from the joints and connections.

2. Finish wall leaving a hole to allow the wall outlet (1) to be screwed into the threaded nipple (2) after finishing the wall.

3. Using suitable sealant, screw the outlet into the threaded nipple with shroud (3) in place.

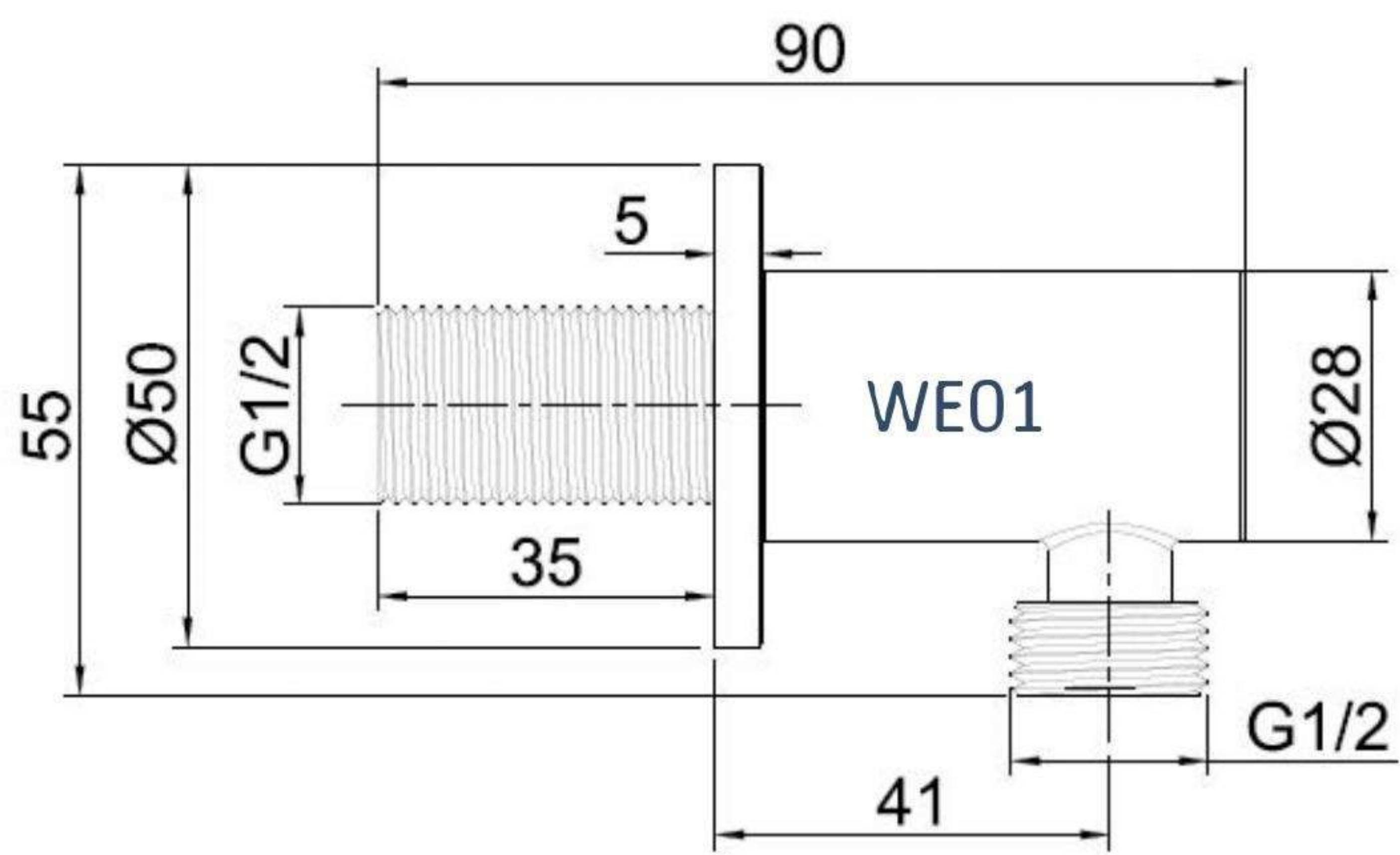
Fixing type B

1. Using suitable sealant, screw the outlet (1) onto the threaded nipple (2).

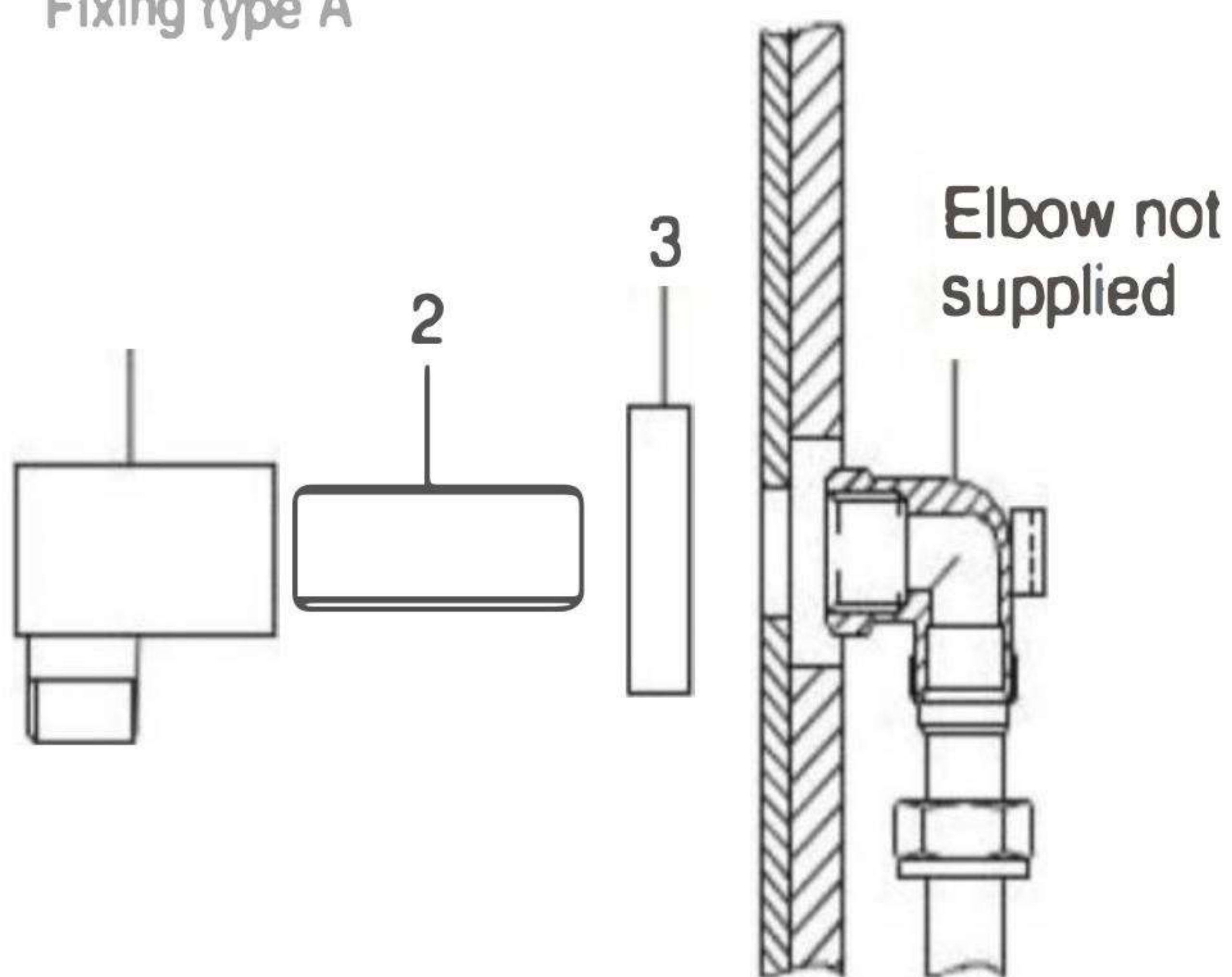
2. Place the shroud (3) over the threaded nipple (2) and onto the wall outlet body (1) prior to fixing it to the wall.

3. Fix the outlet to the wall and secure in place with the G1/2 Nut (4, not supplied) connect to pipework in wall using appropriate adaptor and sealant (not supplied).

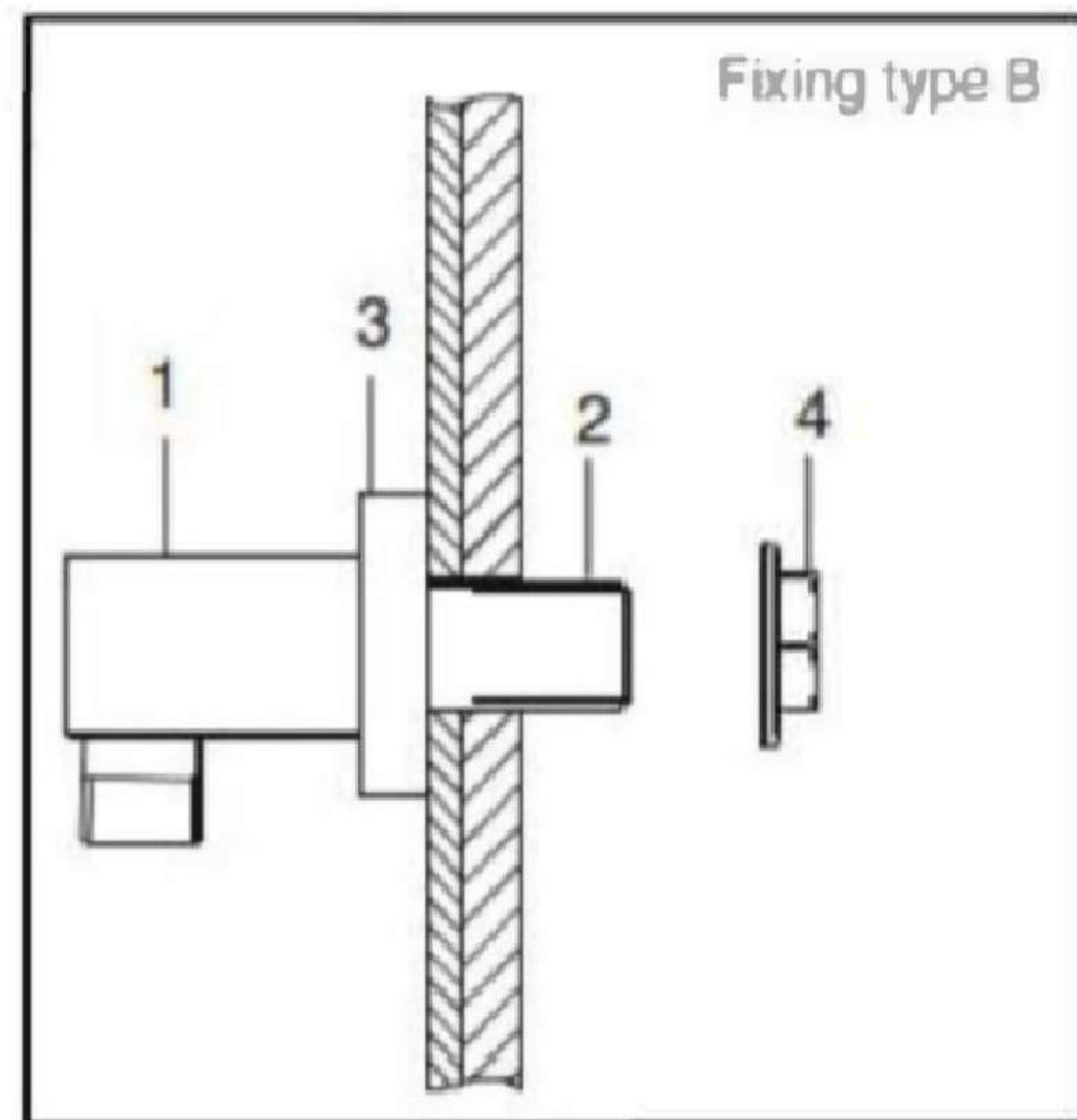
NOTE:- Before finishing the installation turn on the water supplies to check both correct system function and for any leaks from the joints and connections.



Fixing type A



Fixing type B



cleaning and maintenance

Your fitting has a high quality finish and should be treated with care to preserve the visible surfaces.

All surface finishes will wear if not cleaned correctly. The only safe way to clean your waste is to wipe with a damp cloth. Stains can be removed by using washing up liquid. All bath cleaning powders and liquids will damage the surface of your fitting, even the non-scratch cleaners.

NOTE:- Never use abrasive detergents or disinfectants or those containing alcohol, hydrochloric acid or phosphoric acid.

maintenance

In order to maintain optimum spray we advise that the handsets/ fixed shower heads be regularly cleaned, particularly in hard water areas. They incorporate soft rubber nozzles that can be flexed regularly by gently rubbing during use to help the holes clear.

Round/Square Fixed Shower Head Fitting Instructions

This shower rose is intended to be used in conjunction with other products, such as a shower arm and valve.

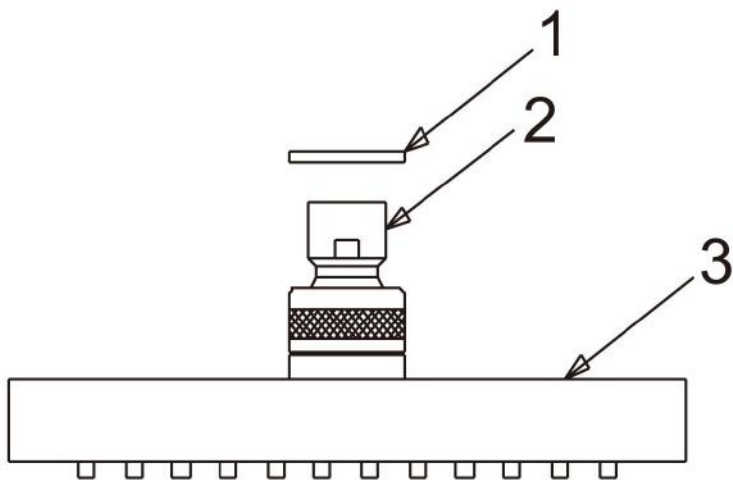
INSTALLATION

This shower head should be arranged in your system with a supply of pre-mixed water from a shower valve.

This product is designed to be fitted to shower arms with a male ½" BSP thread. If replacing a shower head, simply unscrew from the shower arm and replace. The shower head comes with a swivel joint, so the head can be positioned as desired.

Tighten by hand ONLY. Check joint and connections for any leaks, if this occurs check the condition of the washer. Replace if necessary or reseal correctly then re-tighten.

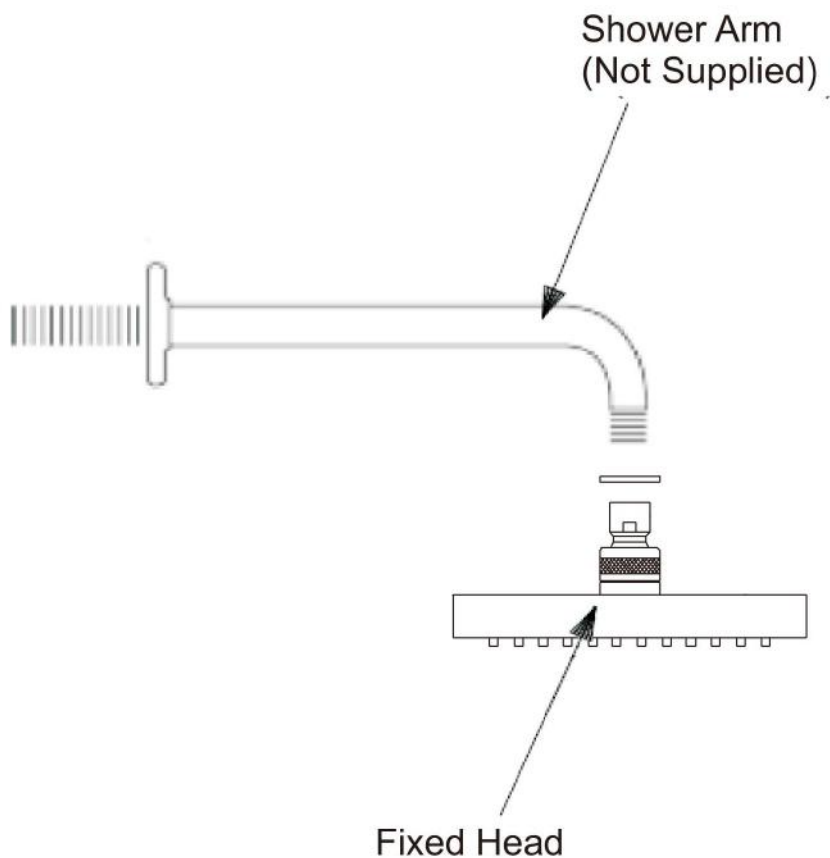
In order to maintain optimum spray, we advise that the shower rose face plate be regularly cleaned, particularly in hard water areas.



CONTENTS:

- | | |
|------------------|------|
| 1. Swivel | (x1) |
| 2. Rubber Washer | (x1) |
| 3. Shower Rose | (x1) |

INSTALLATION DIAGRAM



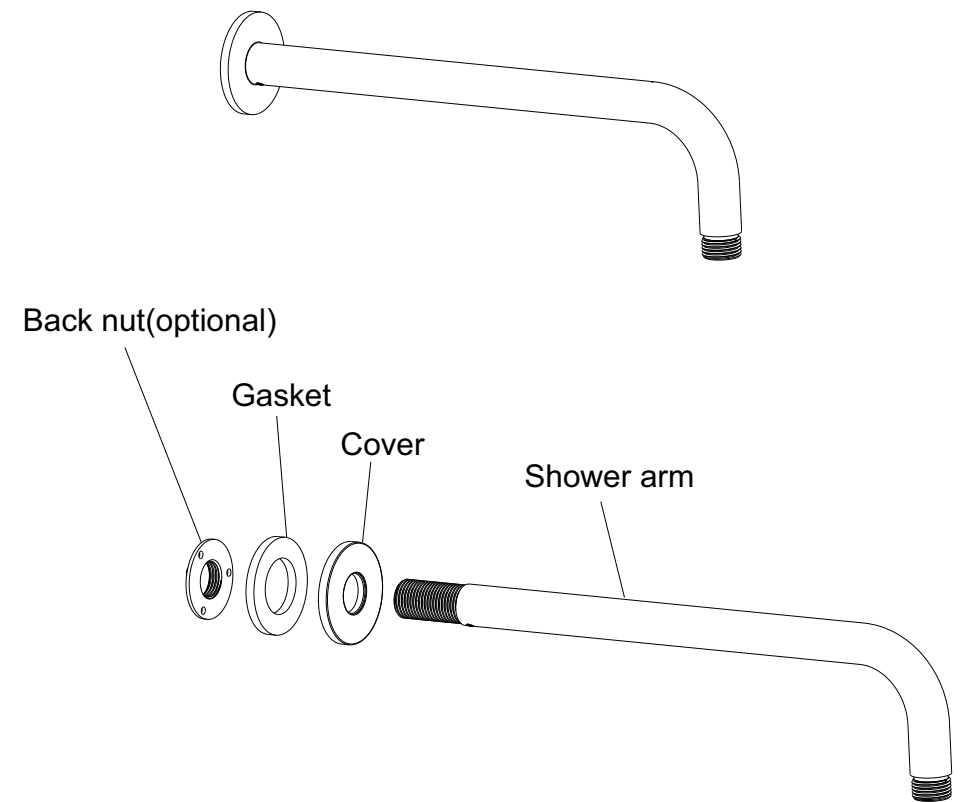
AFTERCARE INSTRUCTIONS

Your fitting has a high quality finish and should be treated with care to preserve the visible surfaces.

All surface finishes will wear if not cleaned correctly, the only safe way to clean your mixer is to wipe with a soft damp cloth. Stains can be removed using washing up liquid. All bath cleaning powders and liquids will damage the surface of your fitting, even the non-scratch cleaners.

NOTE: Never use abrasive detergents or disinfectants or those containing alcohol, hydrochloric acid or phosphoric acid.

Shower arm Installation



This ceiling arm is intended to be used in conjunction with other products, such as shower or blending valves, diverter, stopcocks and shower roses.

Tools You'll Need



INSTALLATION

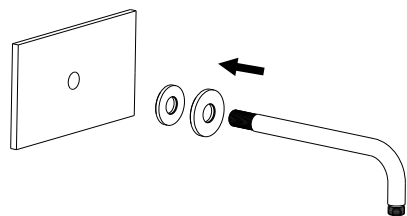
The ceiling arm should be arranged in your system to accept a supply of flow controllable mixed water.

1. Identify all components, study diagram and check for completeness, particularly before arranging fitting.

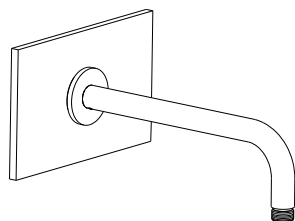
2. The arm is most suitable for mounting via the back nut either side of a panel and/or tiles. However it is possible to support the arm using rigid pipework by connecting via a female G 1/2" BSP to 15mm compression adaptor. The 15mm pipework can then be adjusted to offer the necessary depth and vertical positioning for the eventual shower fixed head.

⚠ Before finishing wall turn on water supplies to check for leaking from joints / connections.

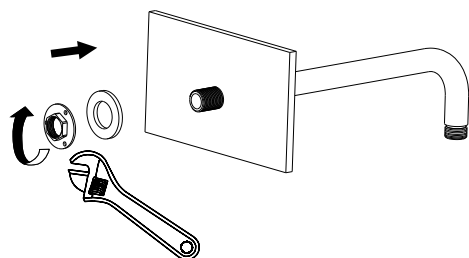
1



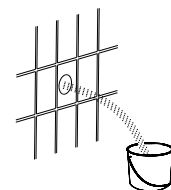
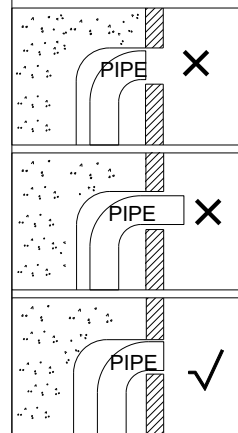
3



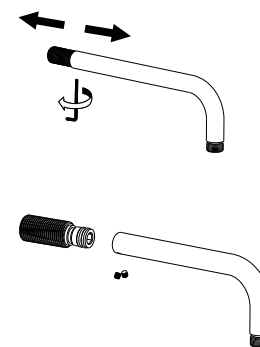
2



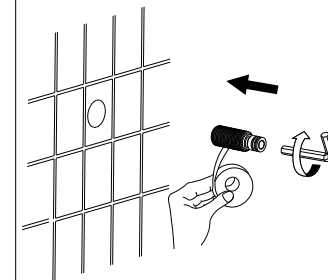
1



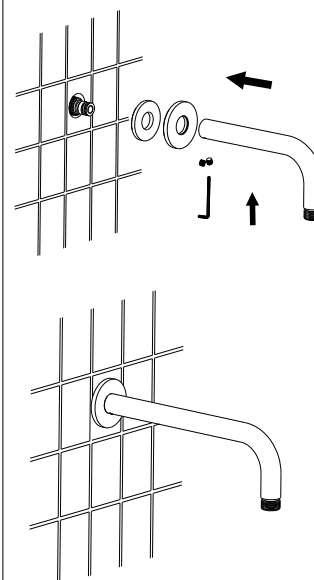
2



3



4



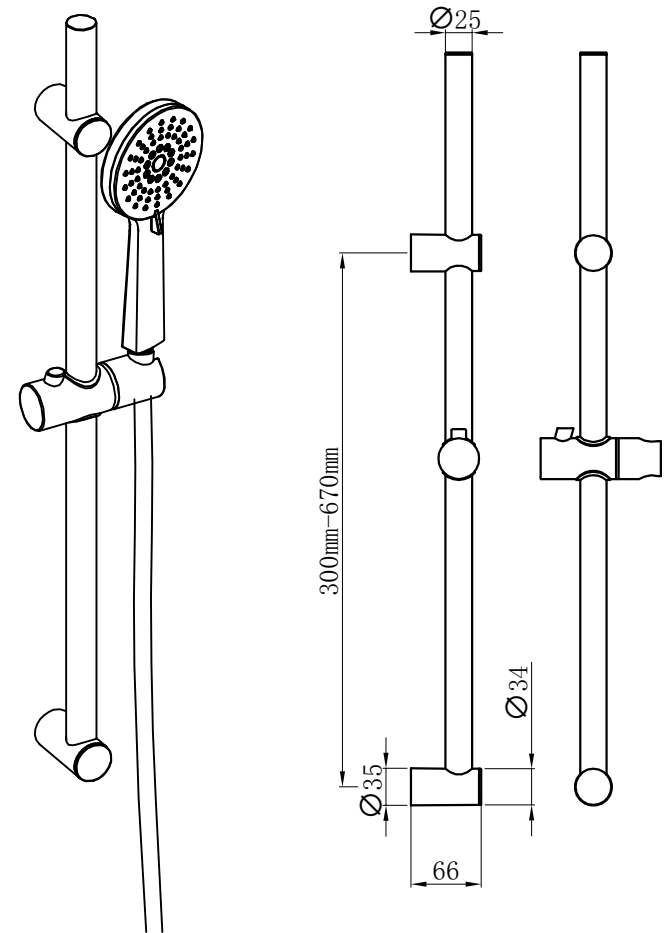
General Cleaning

Products are made from premium materials, with hand polishing and electroplated finishes.

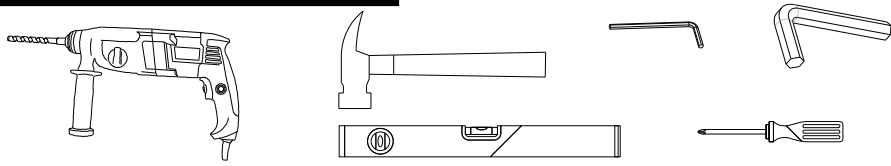
Your taps or shower should be regularly cleaned with warm water, a mild pH-neutral liquid soap, and polished with a soft cloth. Any residues from soap, toilettries etc. should be rinsed off straight after use. Fail to follow the cleaning instruction may result the warranty invalid.

Household bleaches and cleaners contain harsh chemicals and may damage the surface finish. Avoid using abrasive cloths, scouring pads, scrub sponges, steel wool or anything similar.

Shower slider rail kit Installation

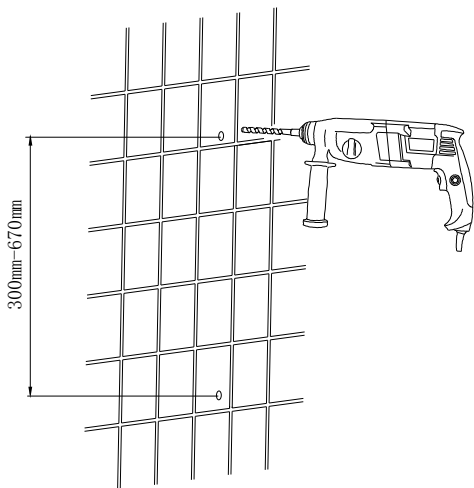


Tools You'll Need

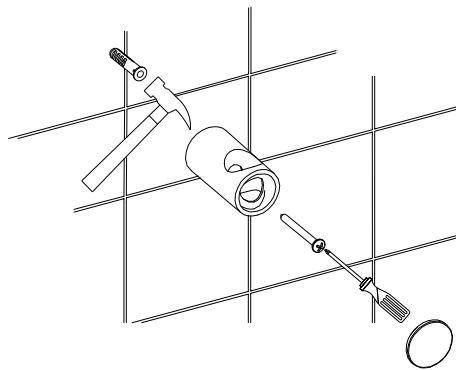


WARNING! Check there are no hidden cables or pipes before drilling holes for wall plugs. Use great care when using power tools near water. The use of a residual current device (RCD) is recommended.

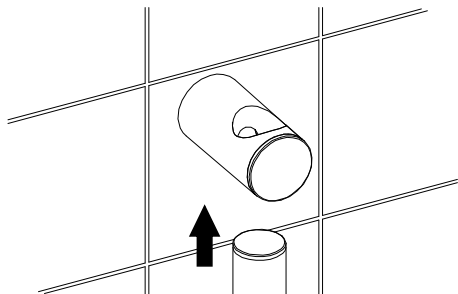
①



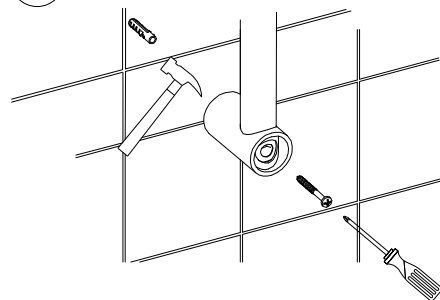
②



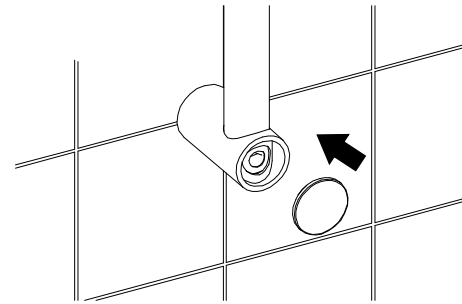
③



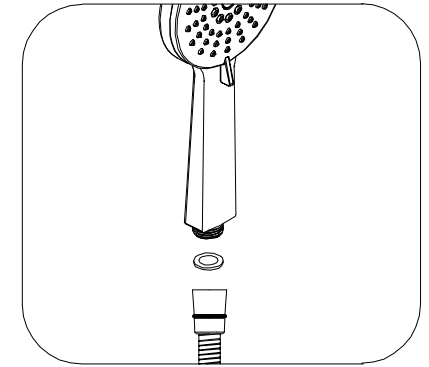
④



⑤



⑥



Note: The installation diagram is for reference only and subject to the real objects.

General Cleaning

Products are made from premium materials, with hand polishing and electroplated finishes.

Your taps or shower should be regularly cleaned with warm water, a mild pH-neutral liquid soap, and polished with a soft cloth. Any residues from soap, toiletries etc. should be rinsed off straight after use. fail to follow the cleaning instruction may result the warranty invalid.

Household bleaches and cleaners contain harsh chemicals and may damage the surface finish. Avoid using abrasive cloths, scouring pads, scrub sponges, steel wool or anything similar.

Some surfaces such as nickel and pewter may be affected by the dye found in some cloths, so it is also important to avoid hanging cloths on surfaces.